



WE CREATE EXCELLENCE
www.sasic.com

FLASH INFO 07.2017

NOUVEAUTES
NEW

80 REFERENCES

TOUTES GAMMES CONFONDUES / ALL RANGES SASIC



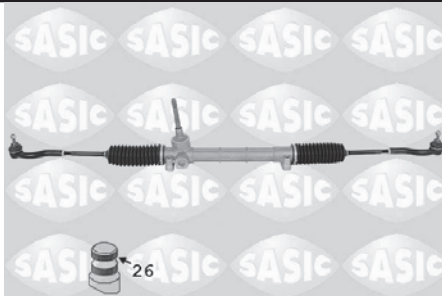
Direction mécanique

Steering gear

7376003

Direction mécanique

Steering gear



OE 51875894

Conduite à G
Pignon 26 cannelures

Left hand drive
Pinion with 26 splines

FIAT 500 (3 Portes)

1.2i 8v. 07/07-09/06/10
1.3 JTD /FAP 07/07-09/06/10 169A1000
1.4i 16v. 07/07-24/07/09 169A3000

FIAT 500 Cab.

1.2i 8v. 07/07-09/06/10
1.3 JTD /FAP 07/07-09/06/10 169A1000
1.4i 16v. 07/07-24/07/09

FORD Ka

1.2i 8v. 22/09/08-03/02/12
1.3 TDCi /FAP 22/09/08-03/02/12

7376003B en boîte / in box

Direction mécanique

7376005

Steering gear



OE 46520940

Conduite à G
Pignon 17 cannelures

Left hand drive
Pinion with 17 splines

FIAT Brava

1.4i 12v. 01/95-04/98 182A3000

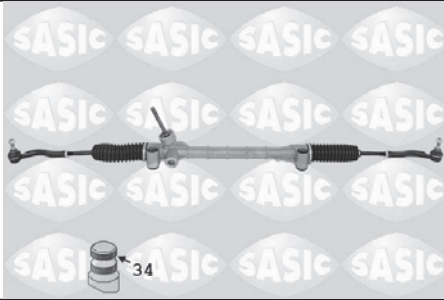
FIAT Bravo

1.4i 12v. 01/95-04/98 182A3000

7376003B en boîte / in box

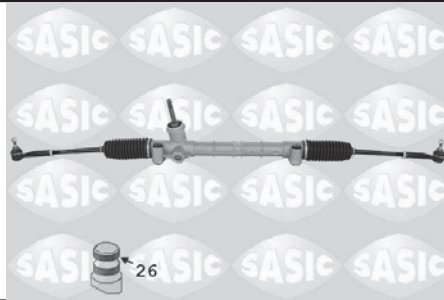
7376013
Direction mécanique
Steering gear
OE 4551052140
Conduite à G
Pignon 34 cannelures
Left hand drive
Pinion with 34 splines
TOYOTA Yaris

1.0i 12v.	12/05-05/11
1.3 VVT-i	12/05-05/11
1.4 D4-D /FAP	12/05-05/11
1.8i 16v.	12/05-05/11


7376013B en boîte / in box
7376015
Direction mécanique
Steering gear
OE 5900326
Conduite à G
Pignon 26 cannelures
Left hand drive
Pinion with 26 splines
OPEL Corsa D

1.0i 12v.	Sauf châssis sport
1.2i 16v.	Sauf châssis sport
1.3 CDTi /FAP	Avec châssis sport Sans Stop & Start
1.4i 16v.	Sauf châssis sport

A10XEP	Z10XEP
A12XEL/R	Z12XEP
A13DTE/R	Z13DTE/J
A14XEL/R	Z14XEP


7376015B en boîte / in box
Pompe & Vérin DA
Pump & jack Power steering
7074016
Pompe dir. assistée
Power steering pump
OE 491108049R
Avec clim.
With AC
DACIA Logan I

1.4i MPi	K7J710/14
1.6i 16v.	K4M690/94/95/96/97/98
1.6i MPi	K7M410 710/18 800/18
1.6i MPi	K7M714/32/64

DACIA Logan II

1.6i 16v.	K4M842
1.6i 8v.	K7M764 812

DACIA Sandero I

1.4i MPi	K7J710/14
1.6i 16v.	K4M690/94/95/97
1.6i MPi	K7M710/14/18/32/64

DACIA Sandero II

1.6i 16v.	K4M842
1.6i 8v.	K7M764 812

RENAULT Clio II 03/98-

1.4i 16v.	K4J710/11/12/13/15
1.4i 8v.	E7J634/35 K7J700
1.6i	K4M708/36/40/46/48 6
1.6i 16v.	K4M708/36/40/42/43/48

RENAULT Kangoo I -02/03 VL

1.4i	E7J634/35 K7J700/01
1.6i	K7M746
1.6i 16v.	K4M708/30/32/50/52/53
1.6i 16v.	K4M850

RENAULT Kangoo I -02/03 VU

1.4i	E7J634/35 K7J700/01
1.6i	K7M746
1.6i 16v.	K4M708/30/50/52/53/54
	K4M850

RENAULT Kangoo I 03/03-12/07 VL VU

1.4i	K7J700/01
1.6i 16v.	K4M708/30/32/50/52/53
	K4M850

RENAULT Megane I / Break

1.4i 16v.	K4J714/50
1.4i 8v.	E7J626
1.6i 16v.	K4M700/01/04/08/09/12

RENAULT Megane I Cabriolet

1.4i 16v.	K4J700/14/50
1.6i 16v.	K4M700/01/08/09

RENAULT Megane I Classic

1.4i 16v.	K4J714/50
1.4i 8v.	E7J626
1.6i	K7M704
1.6i 16v.	K4M700/01/06/08/09

RENAULT Megane I Coupé

1.4i 16v.	K4J700/14/50
1.6i 16v.	K4M700/01/08/09

Suite ...

**Suite...
7074016**
Pompe dir. assistée
Power steering pump
OE 491108049R Avec clim.
With AC

RENAULT Scenic I -04/03

1.4i 16v.	K4J714/50
1.6i 16v.	K4M700/01/04/06
	K4M707/08/09/12
1.8i 16v.	F4P720/22
2.0i 16v.	F4R740/41/44/46/47
2.0i 16v. 2WD	F4R744/46/47

RENAULT Thalia Symbol I (LB)

1.4i 16v.	K4J712/13
1.4i 8v.	K7J700
1.6i	K7M746
1.6i 16v.	K4M732/34/36/40

RENAULT Thalia Symbol II (LU)

1.4i	K7J718
1.4i 16v.	K4J712/13
1.4i MPI	K7J700
1.6i	K7M730/34
1.6i 16v.	K4M670/74 744/45

Axe de bielle
Axial joint
7776121
Axe de bielle G/D
L/R axial joint
OE 577242B000

 Côté dir. M16x1.5 Côté rot. M16x1.5
long 195 mm

*Steering side M16x1.5 Ball joint side M16x1.5
Length 195 mm*
HYUNDAI Santa Fe

2.0 CRDi	11/05-06/12
2.2 CRDi /4WD	11/05-06/12
2.4i /4WD	11/05-06/12
2.7i 24v. /4WD	11/05-06/12

Poulie de vilebrequin ou d'alternateur
Crankshaft or alternator pulley
2156073
Poulie de vilebrequin
Crankshaft pulley
OE 2710300003
MERCEDES Classe C (203) 05/00-04/08

1.8i 16v. 180 200 230 Komp.	271940/46/48
1.8i 16v. 200 CGi Komp.	271942

MERCEDES Classe C (204) 01/07-08/14

1.6i 16v. 180 Komp. /Turbo	271910
1.8i 16v. 180 Komp.	271952
1.8i CGi 200 Komp.	271950

MERCEDES Classe CLC Coupé 05/08-06/11

1.6i Turbo 160	271911
1.8i 180 200 Komp.	271946/57

MERCEDES Classe CLK Coupé (209) 06/02-03/10

1.8i 16v. 200 Komp.	271940/55
1.8i CGi	271942

MERCEDES Classe E (211) 03/02- 07/09

1.8i 16v. 180 200 Komp. /GNV	271941/56
------------------------------	-----------

MERCEDES Classe E (212) 01/09-

1.8i Turbo GNV	271958
----------------	--------

MERCEDES Classe SLK (171) 03/04-02/11

1.8i 16v. 200 Komp.	271944/54
---------------------	-----------

MERCEDES Sprinter

1.8i Komp. 216 316 /4WD	09/08- 271951
-------------------------	---------------

2156074
Poulie de vilebrequin
Crankshaft pulley
OE 30731865
VOLVO S60

2.4 TDi -04/09 D5244T/2/3/4/5

VOLVO S70 V70

2.4 TDi V70 01/01-06/07 D5244T/2/3/4/5/6/7

VOLVO S80

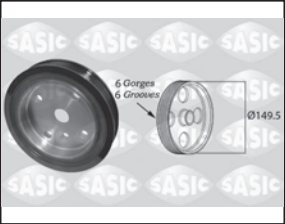
2.4 TDi 01/03-06/06 D5244T/2

VOLVO XC70

2.4 TDi -03/07 D5244T/4

VOLVO XC90

2.4 TDi 05/02-02/14 D5244T/4/5/18


2156077
Poulie de vilebrequin
Crankshaft pulley
OE 06H105243K
AUDI A1

1.8 TFSi 02/15-

DAJB

2.0 TFSi 12/14-

CWZA

AUDI A3

1.8 TFSi /4WD 06/06-

BYT BZB CDAA CJSA/SB

2.0 TFSi /4WD 01/09-

CBFA CZPB

2.0 TFSi /4WD 04/07-

CAWB CCZA CJXB/XC/XF

AUDI A4 III 2008-2015

1.8 TFSi 01/13-

CDHA

1.8 TFSi /4WD 01/08-

CABA/BB CDHA/HB

1.8 TSi /4WD 10/11-

CJEB

2.0 TFSi 05/13-

CAED

2.0 TFSi /4WD /Allroad 10/08-

CDNBN/NC CFKA CNCD

AUDI A4 IV 2016-

2.0 TFSi /4WD 10/15-

CVKB CYRB/RC

AUDI A5

1.8 TFSi 02/08-

CABD CDHB CJEB

1.8 TFSi 09/14-

CJED/EE

2.0 TFSi /4WD 02/09-

CDNBN/NC CNCD

2.0 TFSi /4WD 03/12-

CAED CNCE

AUDI A6 IV 02/2011-

2.0 TFSi 06/11-

CDNBN CHJA

AUDI A8

2.0 TFSi 03/10-

CHJA

2.0 TFSi 4WD 01/14-

CYP A

AUDI Q3

2.0 TFSi /4WD 06/11-

CCZC CPSA CULB/LC

2.0 TFSi /4WD 09/14-

CCTA

AUDI Q5

2.0 TFSi 4WD 07/12-

CHJA CNCB/CE

2.0 TFSi 4WD 10/08-

CDNBN/NC

2.0i Turbo 4WD 06/11-07/12

CHJA

AUDI TT

1.8 TFSi 07/08-

CDAA

1.8 TFSi 10/15-

CJSA

2.0 TFSi /4WD 09/06-

CCTA/ZA CHHC

2.0 TSi /4WD 04/10-

CESA/TA

SEAT Alhambra

1.8 TFSi 01/11-

CDAA

2.0 TSi 11/10-

CCZA DEDA

SEAT Altea

1.8 TFSi 12/06-

BYT BZB CDAA

2.0 TSi /4WD 06/09-

CCZB

SEAT Exeo

1.8 TFSi TSi 09/10-

CDHA/HB

2.0 TSi 09/10-

CDND

SEAT Leon

1.8 TFSi 11/07-

BZB CDAA

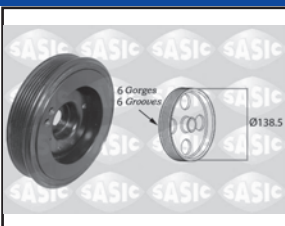
1.8 TSi 03/13-

CJSA/SB

2.0 TSi 05/09-

CCZB CJXA/XE/XH

Suite ...

**Suite ...
2156077**
Poulie de vilebrequin
Crankshaft pulley
OE 06H105243K
SEAT Toledo
1.8 TFSi 09/04-05/09 BYT BZB CDAA
SKODA Superb
1.8 TFSi /4WD 06/08- BZB CDAA/AB
1.8 TSi 04/15- CJSA/SC
2.0 TSi 09/10- CCZA CHHB
SKODA Yeti
1.8 TFSi TSi 4WD 10/09- CDAA/AB
VOLKSWAGEN Amarok
2.0 TSi 09/10- CFPA
VOLKSWAGEN Golf V 03-
2.0 TFSi 04/08- CAWB CCTA
VOLKSWAGEN Golf VI 10/08-
1.8 TFSi 06/09- CDAA
2.0 TFSi 10/08- CBFA CCTA/ZA/ZB
VOLKSWAGEN Golf VII 11/12-
1.8 TSi SW 06/15- CJSB
2.0 TSi 4WD 11/13- CJXB/XC/XE
2.0 TSi GTi CHHA/HB
2.0 TSi GTi 01/15- CHHA/HB
VOLKSWAGEN Jetta
1.8 TSi 09/14-15/06/15 CPKA
2.0 TFSi 01/11-15/06/15 CPLA
2.0 TFSi 10/05- CAWB CBFA CCTA/ZA
VOLKSWAGEN New Beetle
1.8 TSi 12/13-15/06/15 CPKA/RA
2.0 TSi 01/12- CBFA CCTA CULC
2.0 TSi 07/11-15/06/15 CCZA CPLA/PA
VOLKSWAGEN Passat VI 05-10
1.8 TSi /CC /Break 09/08- BZB CDAA/AB CGYA
2.0 TFSi /CC /Break 10/09- CAWB CCTA/TB/ZA
VOLKSWAGEN Passat VII 10-14
1.8 TSi /CC /Break CDAA
2.0 TFSi TSi /CC /SW CCZB
VOLKSWAGEN Passat VIII 14-
1.8 TSi CJSA/SC
2.0 TSi /4WD CHHB CJXA CXDA
VOLKSWAGEN Scirocco
2.0 TFSi 07/08- CAWB
2.0 TSi 10/09- CCZB CULA/LC
VOLKSWAGEN Sharan
1.8 TFSi 01/11- CDAA
2.0 TFSi 11/10- CCZA DEDA
VOLKSWAGEN Tiguan I -03/16
2.0 TFSi 4WD CAWA/WB
2.0 TSi 4WD CCZA/ZB/ZC/ZD CZPA
VOLKSWAGEN Transporter TYP5 (F7J/H) 03-
2.0 TSi /4WD 11/11- CJKa/KB
2.0 Turbo /4WD 11/11- CJKa/KB
VOLKSWAGEN Transporter TYP6 (SG) 15-
2.0 TSi /4WD CJKa/KB
SKODA Octavia
1.8 TFSi TSi 07/07- BZB CDAA/AB
1.8 TSi /4WD 02/13- CJSA/SB
2.0 TFSi 10/08- CCZA
2.0 TSi 02/13- CHHA/HB
VOLKSWAGEN Eos
2.0 TFSi 04/08- CAWB CBFA
CCTA/ZA
2.0 TSi 01/11- CCZB
VOLKSWAGEN Golf VI Cabriolet
2.0 TSi 06/11- CCZB


2156078
Poulie de vilebrequin
Crankshaft pulley
OE 11238512072
BMW Série 1 F20 F21

1.6 D 114 116	-01/15	N47D16A
2.0 TD 116 118 120	-01/15	N47D20C

BMW Série 2 F22 F87 Coupé

2.0 D 218 220		N47D20C
---------------	--	---------

BMW Série 3 E90

2.0 D 316 318 320	09/08-	N47D20A/C
-------------------	--------	-----------

BMW Série 3 E92 E93

2.0 D 320	03/10-	N47D20C
-----------	--------	---------

BMW Série 3 F30 F80

2.0 D 316 318 320	-12/15	N47D20C
-------------------	--------	---------

BMW Série 3 F31

2.0 D 316 318 320	-06/15	N47D20C
-------------------	--------	---------

BMW Série 3 F34

2.0 D 318 320	-05/16	N47D20C
---------------	--------	---------

BMW Série 4 F32 F33 F82 F83

2.0 D 420	-12/16	N47D20C
-----------	--------	---------

BMW Série 4 F36

2.0 D 418 420	-12/16	N47D20C
---------------	--------	---------

BMW Série 5 F07

2.0 D 520		N47D20C
-----------	--	---------

BMW Série 5 F10

2.0 D 518 520		N47D20C
---------------	--	---------

BMW Série 5 F11

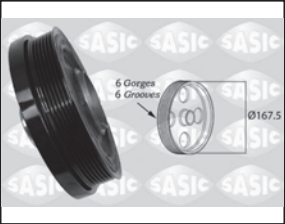
2.0 D 518 520		N47D20C
---------------	--	---------

BMW X1

2.0 D FAP /4WD 09/09-11/15		N47D20C
----------------------------	--	---------

BMW X3

2.0 D 18D 20D 09/10-		N47D20C
----------------------	--	---------


2156080
Poulie de vilebrequin
Crankshaft pulley
OE 11232244417
BMW Série 3 E36

2.5 TD 325		
2.5 TDS 325 /Touring		

BMW Série 5 E34

2.5 TD 525 /Touring		
2.5 TDS 525 /Touring		

BMW Série 5 E39

2.5 TD 525 /Touring		
2.5 TDS 525 /Touring		

BMW Série 7 E38

2.5 TD 725		
------------	--	--

OPEL Omega B

2.5 TD		
--------	--	--



Fixation moteur & BV
Engine fastener and gearbox parts
2706415
Support BV
Gearbox mounting
OE 4433028
FORD Transit

 2.0 TDCi 01/08/00-31/07/03
 2.0 TDDi 01/08/00-31/07/03

 FIFA
 ABFA D3FA F3FA

2706417
Support BV
Gearbox mounting
OE 13248546
CHEVROLET Cruze

1.7 VCDi FAP 06/12- A17DTE/S

OPEL Astra J

1.7 CDTi A17DTC/E/F/J/L/N/R/S


2706418
Support moteur AR
Rear engine mounting
OE 51933706
FIAT 500 L

 0.9i Turbo Twinair /GNV 199B6000
 312A2000

2706420
Biellette support AV
Front rod holder
OE 51939655
FIAT 500 L

1.4i 16v. 843A1000


2706423
Support moteur AV
Front engine mounting
OE 03077V008000
SMART Cabrio

 0.6i 03/00-01/04 160920
 160E6ALB03/05
 0.7i 01/03-01/04 160910

SMART City

 0.6i 07/98-01/04 160920
 160E6AL03/04/05
 0.7i 01/03-01/04 160910

2706425
Support moteur AV Inf.
Front lower engine mounting
OE 1327578
FORD Mondeo

 1.8i 16v. 02/10/00-19/03/07
 2.0 TDCi 01/02/03-31/07/04
 2.0 TDCi 02/10/00-31/07/04
 2.0 TDDi 02/10/00-31/07/04
 2.0i 16v. 02/10/00-19/03/07

SMART Crossblade

0.6i Turbo 02/02-12/02

SMART Fortwo

0.7i /Cab. 01/04-02/07 160910

SMART Roadster

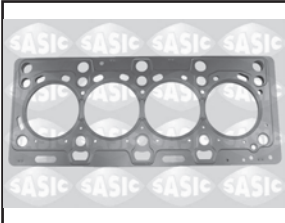
0.7i Turbo 01/03-12/06 160921/22/23

Divers moteur & BV
Others engine & gearbox parts
1504008
Joint de culasse
Cylinder head gasket
OE 8200351353 Ep. 0.7 mm *thickness 0.7 mm*
DACIA Duster

1.5 DCi /4WD -10/01/11 K9K796

DACIA Logan I

1.5 DCi /MCV /Pick-up /VU -10/01/11 K9K790/92/94/96


Suite ...

Suite ...
1504008
Joint de culasse
Cylinder head gasket
OE 8200351353 Ep. 0.7 mm *thickness 0.7 mm*
DACIA Sandero I

1.5 DCi -10/01/11 K9K790/92/94/96

NISSAN Almera

1.5 DCi K9K722

NISSAN Cube

1.5 DCi FAP K9K

NISSAN Juke

1.5 DCi /FAP K9K

NISSAN Kubistar

1.5 DCi K9K700/02/04/10/14/16/22

NISSAN Micra

1.5 DCi 01/03-11/10 K9K274/76 704/08/22

NISSAN Note

1.5 DCi K9K274/76/88/92 700

NISSAN NV 200

1.5 DCi /FAP K9K400 608/28/36/46 892

NISSAN Qashqai

1.5 DCi /FAP K9K410/30 732/64

RENAULT Clio II 03/98-

1.5 DCi K9K706/12

1.5 DCi -10/01/11 K9K714/16/18/40

1.5 DCi 19/05/04- K9K700/02/04/10

RENAULT Clio III 09/05-

1.5 DCi K9K750/52-

1.5 DCi /FAP -10/01/11 K9K764/66/68/72

RENAULT Fluence

1.5 DCi -10/01/11 K9K830/832/838/842

RENAULT Kangoo I -02/03 VL VU

1.5 DCi -10/01/11 K9K714/16/18

RENAULT Kangoo I 03/03-12/07 VL VU

1.5 DCi -10/01/11 K9K714/16/18

1.5 DCi 19/05/04- K9K700/02/04/10

RENAULT Kangoo II 01/08- VL

1.5 DCi -10/01/11 K9K800/802

1.5 DCi /FAP -10/01/11 K9K804/806/812

RENAULT Kangoo II 01/08- VU

1.5 DCi -10/01/11 K9K800/802

1.5 DCi /FAP -10/01/11 K9K804

1.5 DCi /FAP -10/01/11 K9K806/812

RENAULT Laguna III /Estate

1.5 DCi -10/01/11 K9K780

RENAULT Megane II /Classic/ Break/ Cab. CC/ Coupé

1.5 DCi /FAP K9K724/28/29/32/34

1.5 DCi /FAP 16/07/04- K9K722

RENAULT Megane III/ Break/ Cab. CC

1.5 DCi -10/01/11 K9K830/32

RENAULT Megane III Coupé

1.5 DCi -10/01/11 K9K830/32

Suite ...

Suite ...
1504008
Joint de culasse
Cylinder head gasket
OE 8200351353 Ep. 0.7 mm *thickness 0.7 mm*
RENAULT Modus

 1.5 DCi K9K750/52
 1.5 DCi /FAP -10/01/11 K9K760/62/64/66/68/72

RENAULT Scenic II 05/03-03/09

 1.5 DCi /FAP K9K724/28/29/32/34
 1.5 DCi /FAP 16/07/04- K9K722

RENAULT Scenic III 04/09-

1.5 DCi -10/01/11 K9K830/32

RENAULT Thalia Symbol I (LB)

 1.5 DCi -10/01/11 K9K714/16/18/40
 1.5 DCi 19/05/04- K9K700/02/04/10

RENAULT Thalia Symbol II (LU)

 1.5 DCi K9K700
 1.5 DCi -10/01/11 K9K718/40

RENAULT Twingo II

1.5 DCi -10/01/11 K9K718/40


3650008
Pompe à huile
Oil pump
OE 100156
CITROEN Berlingo VL VU

 1.8 D -11/02 XU
 1.9 D -11/02 XU

CITROEN BX

 1.6 i /GTi XU
 1.8 D XU
 1.8 TD XU
 1.9 i /GTi XU
 1.9 D -11/02 XU
 1.8 D XU

CITROEN Jumpy -03/16

1.9 D -12/06 XU

CITROEN Xantia

 1.9 D -04/98 XU
 1.9 TD SD -31/12/99 XUD9SD

CITROEN Xsara

 1.8 D XU
 1.9 D XU
 1.9 TD -31/12/99 XUD9BSD

CITROEN ZX

 1.6i XU5M
 1.8 D XU
 1.9 D XU
 1.9i XU9JA XU9JAZ

PEUGEOT 205

 1.6 i /GTi XU
 1.8 D / TD XU
 1.9 i /GTi XU
 1.9 D XU
 1.9 GTi XU

PEUGEOT 306

 1.8 D XU
 1.9 D XU


Suite ...

**Suite ...
3650008**
Pompe à huile
Oil pump
OE 100156
PEUGEOT 309

1.6 /i		XU
1.8 D		XU
1.8 TD		XU
1.9 /i /GTi		XU
1.9 D		XU
1.9 GTi	Sauf XU9J4	XU
1.9 GTi 16v.	-01/11/92	XU9J4

PEUGEOT 405

1.6 /i		XU52C XU5M
1.6 /i	-06/92	XU51C XU5CP
1.8 D/TD	-06/92	XU
1.9 /i /4WD		XU92C XU9J2
1.9 /i /GTi /4WD	-06/92	XU9J1 XU9J4 XU9JAL XU9M
1.9 D		XU

PEUGEOT 406

1.9 TD SD	-31/12/99	XUD9SD
-----------	-----------	--------

PEUGEOT Expert VL VU -04/16

1.9 D	-12/06	XU
-------	--------	----

PEUGEOT Partner

1.8 D	-11/02	XU
1.9 D	-11/02	XU

Kit soufflet transmission
Drive shaft seal kit
1906064
Kit rép. transm. Côté BV G/D
L/R Drive shaft side gearbox repair kit
OE C97411KB0B BV Ø tulipe 69 BV Ø arbre 24.5 Gearbox tulip Ø 69 Gearbox shaft Ø 24.5

NISSAN Juke

1.5 DCi /FAP	07/10-09/15	K9K
1.6i /16v. /Turbo	07/10-09/15	MR16DDT

NISSAN Qashqai

1.2i Turbo	10/15-	H5FT
1.2i Turbo	10/15-07/16	H5FT
1.2i Turbo	12/13-09/15	HRA2DDT
1.5 DCi /FAP	12/13-09/15	K9K
1.6i Turbo	08/14-09/15	MR16DDT
2.0i 16v.	10/15-	MR20DD
2.0i 16v.	12/13-09/15	MR20DD

TOYOTA Auris

1.4 D4-D FAP	07/13-	1ND
1.4 D4-D FAP	10/12-	1ND

TOYOTA Avensis

2.0 D4-D /FAP	05/03-11/09	1AD 1CDFTV
2.0 VVT-i D4	05/03-11/09	1AZFSE
2.2 D4-D	05/03-11/09	2AD

TOYOTA Corolla

2.0 D4-D	11/01-	1CDFTV
2.0 D4-D	11/01-08/03	1CDFTV

TOYOTA Corolla Verso

2.0 D4-D	02/04-08/05	1CDFTV
----------	-------------	--------

1906065
Kit rép. transm. Côté Roue G/D
L/R Drive shaft side wheel repair kit
OE C92414ED0A

Roue Ø bol 85 Roue Ø arbre 27

Wheel Ø Bowl 85 Wheel Ø shaft 27

NISSAN Qashqai

1.2i Turbo 10/15-

H5F HRA2DDT

1.5 DCi /FAP 12/13-

K9K

1.6i Turbo 08/14-

MR16DDT

2.0i 16v. 10/15-

MR20DD


Biellette de barre
Bar rod
2306221
Biellette barre stab. G
Left stabilizer bar stub axle
OE 500383976
IVECO Daily II 05/99-03/06

TT /all models

IVECO Daily III IV V 04/06-

2.3 HPi

2.3 TD

3.0 HPi

3.0 HPT

3.0 TD


2306222
Biellette barre stab. D
Right stabilizer bar stub axle
OE 500383975
IVECO Daily II 05/99-03/06

TT /all models

OE 500383975
IVECO Daily III IV V 04/06-

2.3 HPi

2.3 TD

3.0 HPi

3.0 HPT

3.0 TD


2306235
Biellette barre stab. G
Left stabilizer bar stub axle
OE 4884042010

Entraxe : 100

axial distance : 100
TOYOTA Rav4

1.8i 08/00-12/05

2.0 D4-D 4WD 05/01-12/05

2.0i 4WD 06/00-12/05


2306237
Biellette barre stab. D
Right stabilizer bar stub axle
OE 4883042010

Entraxe : 100

axial distance : 100
TOYOTA Rav4

1.8i 08/00-12/05

2.0 D4-D 4WD 05/01-12/05

2.0i 4WD 06/00-12/05



2306238
Biellette barre stab. G/D
L/R stabilizer bar stub axle
OE 4882042020

Entraxe : 285

axial distance : 285
TOYOTA Celica

1.8i 16v. 08/99-09/05

TOYOTA Corolla

2.0 D4-D 4ptes 07/04-08/07

TOYOTA Rav4

1.8i 07/00-12/05

2.0 D4-D 4WD 07/01-12/05

2.0i 4WD 07/00-12/05


2306240
Biellette barre stab. G
Left stabilizer bar stub axle
OE B45A34170

Entraxe : 285

axial distance : 285
MAZDA 3

1.5i 16v. 09/13-

2.0i 16v. 09/13-

2.2 TD 09/13-


2306241
Biellette barre stab. D
Right stabilizer bar stub axle
OE B45A34150

Entraxe : 285

axial distance : 285
MAZDA 3

1.5i 16v. 09/13-

2.0i 16v. 09/13-

2.2 TD 09/13-


2306242
Biellette barre stab. G
Left stabilizer bar stub axle
OE KD3128190

Entraxe : 150

axial distance : 150
MAZDA 3

1.5i 16v. 09/13-

2.0i 16v. 09/13-

2.2 TD 09/13-

MAZDA 6

2.0i 16v. 01/13-

2.2 TD /4WD 01/13-

2.5i 16v. 01/13-

MAZDA CX-5

2.0i /4WD 01/12-

2.2 TD /4WD 01/12-


2306243
Biellette barre stab. D
Right stabilizer bar stub axle
OE KD3128170

Entraxe : 150

axial distance : 150
MAZDA 3

1.5i 16v. 09/13-

2.0i 16v. 09/13-

2.2 TD 09/13-

MAZDA 6

2.0i 16v. 01/13-

2.2 TD /4WD 01/13-

2.5i 16v. 01/13-

MAZDA CX-5

2.0i /4WD 01/12-

2.2 TD /4WD 01/12-



Bague & Palier barre
Bushing & Bar main bearing
2304045
Palier de barre milieu
Middle bar main bearing
OE 6001549311 Palier Ø 25

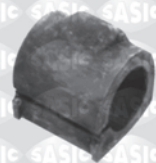
Bearing Ø 25
DACIA Dokker

 1.2i Turbo 03/12-
 1.5 DCi FAP 03/12-
 1.6i 8v. /GPL 03/12-

DACIA Lodgy

 1.2i Turbo
 1.5 DCi FAP
 1.6i 8v. /GPL

DACIA Logan I

 1.0i 16v.
 1.4i MPi
 1.4i MPi MCV
 1.5 DCi /FAP DNA
 1.5 DCi /FAP MCV
 1.6i 16v. /ETH DNA
 1.6i 16v. /ETH MCV
 1.6i MPi
 1.6i MPi MCV /GPL

2304046
Palier de barre milieu
Middle bar main bearing
OE 562300111R Palier Ø 12

Bearing Ø 12
DACIA Duster

1.2i 16v. Turbo 4WD	H5F
1.5 DCi /FAP 4WD	K9K
1.6i 16v. 4WD	K4M
2.0i 16v. 4WD	F4R


2306231
Palier de barre milieu
Middle bar main bearing
OE 9063262181 Barre Ø 17

Bar Ø 17
MERCEDES Sprinter

 1.8i Komp /GNV 06/06-
 2.1 CDi /4WD 06/06-
 3.0 CDi /4WD 06/06-
 3.5i 24v. /4WD 06/06-

VOLKSWAGEN Crafter

 2.0 TDi FAP /4WD
 2.5 TDi /FAP /4WD

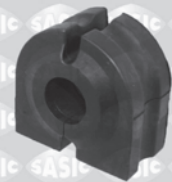
2306232
Palier de barre milieu
Middle bar main bearing
OE 31356764113 Barre Ø 25

Bar Ø 25
BMW Série 5 E60 5 E61

2.0 D 520 /FAP	Susp. sport
2.0 TD 520	Susp. sport
2.0i 16v. 520	Susp. sport
2.2i 24v. 520	Susp. sport
2.5 D 525 /FAP 2WD	Susp. sport
2.5i 24v. 523 525 2WD	Susp. sport
3.0 D 525 530 535 /FAP 2WD	Susp. sport
3.0i 24v. 525 530 2WD	Susp. sport
4.0i 32v. 540	Susp. normale
4.4i 32v. 545	Susp. normale
4.8i 32v. 550	Susp. normale

BMW Série 6 E64 Cab.

3.0 D 635	Susp. normale
3.0i 24v. 630	Susp. normale
4.4i 645	Susp. normale
4.8i 650	Susp. normale


BMW Série 7 E65 E66

3.0i 730 /Limousine	Susp. normale
---------------------	---------------

2306233
Palier de barre milieu
Middle bar main bearing
OE 31356753913

Palier Ø 52

Bearing Ø 52

BMW Série 5 E60

2.0 D 520 /FAP

Avec barre stab. électrique Ø21.8

with electric stabilizer bar Ø21.8

2.0 TD 520

Avec barre stab. électrique Ø21.8

with electric stabilizer bar Ø21.8

2.0i 16v. 520

Avec barre stab. électrique Ø21.8

with electric stabilizer bar Ø21.8

2.2i 24v. 520

Avec barre stab. électrique Ø21.8

with electric stabilizer bar Ø21.8

2.5 D 525 /FAP 2WD

Avec barre stab. électrique Ø21.8

with electric stabilizer bar Ø21.8

2.5i 24v. 523 525 2WD

Avec barre stab. électrique Ø21.8

with electric stabilizer bar Ø21.8

3.0 D 525 530 535 /FAP 2WD

Avec barre stab. électrique Ø21.8

with electric stabilizer bar Ø21.8

3.0i 24v. 525 530 2WD

Avec barre stab. électrique Ø21.8

with electric stabilizer bar Ø21.8

4.0i 32v. 540

Avec barre stab. électrique Ø21.8

with electric stabilizer bar Ø21.8

4.4i 32v. 545

Avec barre stab. électrique Ø21.8

with electric stabilizer bar Ø21.8

4.8i 32v. 550

Avec barre stab. électrique Ø21.8

with electric stabilizer bar Ø21.8
BMW Série 5 E61

2.0 D 520 /FAP

Avec barre stab. électrique Ø22.2

with electric stabilizer bar Ø22.2

2.0 TD 520

Avec barre stab. électrique Ø22.2

with electric stabilizer bar Ø22.2

2.0i 16v. 520

Avec barre stab. électrique Ø22.2

with electric stabilizer bar Ø22.2

2.2i 24v. 520

Avec barre stab. électrique Ø22.2

with electric stabilizer bar Ø22.2

2.5 D 525 /FAP 2WD

Avec barre stab. électrique Ø22.2

with electric stabilizer bar Ø22.2

2.5i 24v. 523 525 2WD

Avec barre stab. électrique Ø22.2

with electric stabilizer bar Ø22.2

3.0 D 525 530 535 /FAP 2WD

Avec barre stab. électrique Ø22.2

with electric stabilizer bar Ø22.2

3.0i 24v. 525 530 2WD

Avec barre stab. électrique Ø22.2

with electric stabilizer bar Ø22.2

4.4i 32v. 545

Avec barre stab. électrique Ø22.2

with electric stabilizer bar Ø22.2

4.8i 32v. 550

Avec barre stab. électrique Ø22.2

with electric stabilizer bar Ø22.2
BMW Série 6 E63 Coupé

3.0 D 635

Avec barre stab. électrique Ø22.2

with electric stabilizer bar Ø22.2

3.0i 24v. 630

Avec barre stab. électrique Ø21.8

with electric stabilizer bar Ø21.8

4.4i 645

Avec barre stab. électrique Ø21.8

with electric stabilizer bar Ø21.8

4.8i 650

Avec barre stab. électrique Ø21.8

with electric stabilizer bar Ø21.8
BMW Série 6 E64 Cab.

3.0 D 635

Avec barre stab. électrique Ø22.2

with electric stabilizer bar Ø22.2

3.0i 24v. 630

Avec barre stab. électrique Ø22.2

with electric stabilizer bar Ø22.2

4.4i 645

Avec barre stab. électrique Ø22.2

with electric stabilizer bar Ø22.2

4.8i 650

Avec barre stab. électrique Ø22.2

with electric stabilizer bar Ø22.2
BMW Série 7 E65 E66

3.0 D 730 /Limousine

Avec barre stab. électrique

with electric stabilizer bar

3.0i 730 /Limousine

Avec barre stab. électrique

with electric stabilizer bar

3.6i 735 /Limousine

Avec barre stab. électrique

with electric stabilizer bar

4.0 D 740 /Limousine

Avec barre stab. électrique

with electric stabilizer bar

4.0i 740 /Limousine

Avec barre stab. électrique

with electric stabilizer bar

4.4 D 745 /Limousine

Avec barre stab. électrique

with electric stabilizer bar

4.4i 745 /Limousine

Avec barre stab. électrique

with electric stabilizer bar

4.8i 750 /Limousine

Avec barre stab. électrique

with electric stabilizer bar

6.0i 760 /Limousine

Avec barre stab. électrique

with electric stabilizer bar
2306244
Palier de barre milieu
Middle bar main bearing
OE 4041489

Palier Ø 23.5

Bearing Ø 23.5

FORD Transit

2.0 TDCi

08/00-09/06

2.0 TDDi

08/00-09/06

2.3i 16v.

08/00-09/06

2.4 TDCi

08/00-09/06

2.4 TDDi

08/00-09/06

2306245
Palier de barre milieu
Middle bar main bearing
OE 1528314

Palier Ø 21

Bearing Ø 21

FORD Fiesta 10/08-10/12

 1.2i 16v.
 1.4 TDCi
 1.4i 16v. /GPL
 1.6 TDCi /FAP
 1.6i 16v.

Bras et triangle
Arm and track control arm
7476274
Triangle de susp. G
Left track control arm
OE 545000X000

Ø16

HYUNDAI I 10

 1.0i 12v. 01/11-12/13
 1.1 CRDi 03/08-12/11
 1.1i 12v. /GPL 03/08-12/13
 1.2i /GPL 03/08-12/13

7476275
Triangle de susp. D
Right track control arm
OE 545010X000

Ø16

HYUNDAI I 10

 1.0i 12v. 01/11-12/13
 1.1 CRDi 03/08-12/11
 1.1i 12v. /GPL 03/08-12/13
 1.2i /GPL 03/08-12/13

7476277
Bras de susp. AR G/D
L/R rear track control arm
OE 5Q0505323D
AUDI A1

2.0 TFSi 4WD

01/15-

CWZA

AUDI A3

 1.2 TFSi
 1.4 TFSi /Hybride
 1.4 TFSi Cab.
 1.6 TDi /FAP /4WD
 1.6 TDi FAP Cab.
 1.8 TFSi /4WD
 1.8 TFSi /4WD Cab.
 2.0 TDi /FAP /4WD Cab.
 2.0 TDi FAP /4WD
 2.0 TFSi 4WD
 2.0 TFSi 4WD Cab.

 01/13-
 01/13-
 01/15-
 01/13-
 01/15-
 01/13-
 01/15-
 01/15-
 01/13-
 01/13-
 01/13-
 01/15-

 CJZA CYVB
 CMBA CPTA/WA CUKB CZCA/EA
 CMBA CPTA CXSB CZCA/EA
 CRKB
 CRKB
 CJSA/SB
 CJSA/SB
 CRBC/BD/LB/LC CUNA
 CRBC/BD/LB/LC CUNA
 CJXB/XC/XF
 CJXB/XC/XF

SEAT Leon

 1.0 TSi
 1.2 TSi
 1.4 TSi /GPL
 1.6 TDi FAP /4WD
 1.8 TSi
 2.0 TDi FAP /4WD
 2.0 TSi

 01/13-12/16
 01/13-12/16
 01/13-12/16
 01/13-12/16
 01/13-12/16
 01/13-12/16
 01/13-12/16

 CHZD
 CYVA/VB
 CHPA CPWA CZCA/EA
 CLHA CXXB
 CJSA
 CRLB/MB CUNA
 CJXA/XE

SKODA Superb

 1.4 TSi /4WD
 1.6 TDi FAP
 1.8 TSi /4WD
 2.0 TDi FAP /4WD
 2.0 TSi /4WD

 01/15-
 01/15-
 01/15-
 01/15-
 01/15-

 CZCA/DA/EA
 DCXA
 CJSA/SC
 CRLB DDAA DFCA/EA
 CHHB CJXA

VOLKSWAGEN Golf VII 11/12-

 1.2 TSi
 1.4 TSi /ETH /GPL /Hybride

 01/13-
 01/13-

 CJZB
 CHPA CMBA CPTA/VA/WA CUKB CXSA
 CZCA/DA/EA
 CZCA/DA
 CLHA CRKB CXXB
 CRBC/LB CUNA
 CRLB
 CHHA/HB CJXB/XC
 EAGA

 1.4 TSi Sportsvan
 1.6 TDi FAP /4WD
 2.0 TDi FAP /4WD
 2.0 TDi FAP Sportsvan
 2.0 TSi /4WD /GTi
 electric

 01/14-
 01/13-
 01/13-
 01/14-
 01/13-
 01/13-

Suite ...

**Suite ...
7476277**
Bras de susp. AR G/D
L/R rear track control arm
OE 5Q0505323D
VOLKSWAGEN Passat VIII 14-

1.4 TSi	01/15-	CZCA/EA
1.6 TDi FAP	01/15-	DCXA
2.0 TDi FAP /4WD	01/15-	CRLB CUA A DDAA

VOLKSWAGEN Tiguan II 04/16-

1.4 TSi /4WD		CZCA/EA
2.0 TDi FAP /4WD		DFGA/GC/HA
2.0 TSi 4WD		CZPA

VOLKSWAGEN Touran

1.2 TSi	01/16-	CYVB
1.4 TSi /GNV	01/16-	CZDA
1.6 TDi FAP	01/16-	CRKB
2.0 TDi /FAP	01/16-	DFA


7476278
Bras de susp. AV Inf. G/D
L/R front lower track control arm
OE 8K0501529L
AUDI A4 III 2008-2015

TT /all models	20/07/09-
----------------	-----------

AUDI A5

1.8 TFSi TSi	20/07/09-12/16
1.8 TFSi TSi Cab.	20/07/09-
2.0 TDi FAP /4WD	20/07/09-12/16
2.0 TDi FAP /4WD Cab.	20/07/09-
2.0 TFSi /4WD	20/07/09-12/16
2.0 TFSi /4WD Cab.	20/07/09-
2.7 TDi /FAP	20/07/09-12/16
2.7 TDi /FAP Cab.	20/07/09-
3.0 TDi FAP /4WD	20/07/09-12/16
3.0 TDi FAP /4WD Cab.	20/07/09-
3.0 TFSi /4WD	20/07/09-12/16
3.0 TFSi /4WD Cab.	20/07/09-
3.2 FSi /4WD	20/07/09-12/16
3.2 FSi /4WD Cab.	20/07/09-
4.2i /32v. S5 4WD	20/07/09-12/16
4.2i /32v. S5 4WD Cab.	20/07/09-

AUDI Q5

2.0 TDi FAP 4WD	08/11/10-12/16
2.0 TFSi 4WD	08/11/10-12/16
3.0 TDi FAP 4WD	08/11/10-12/16
3.2 FSi 4WD	08/11/10-12/16

AUDI A6 IV 02/2011-

2.0 TDi FAP	
2.0 TFSi /Hybride	
2.8 FSi /4WD	
3.0 TDi FAP /4WD	
3.0 TFSi 4WD	

AUDI A7

2.8 FSi /4WD	06/10/10-
3.0 TDi FAP /4WD	06/10/10-
3.0 TFSi 4WD	06/10/10-
4.0 TFSi /RS7 4WD	06/10/10-

AUDI A8

2.0 TFSi /Hybride	06/10/10-
3.0 TDi FAP /4WD	06/10/10-
3.0 TFSi 4WD	06/10/10-
4.0 TFSi 4WD	06/10/10-
4.2 TDi 4WD	06/10/10-
4.2i 4WD	06/10/10-


7476279
Bras de susp. AV Inf. G/D
L/R front lower track control arm
OE 33326792525
BMW Série 1 F20 F21

1.5 D 114 116 FAP	B37D15A
1.5i Turbo 116 118	B38B15A
1.6 D 114 116 FAP	N47D16A
1.6i Turbo 114 116 118 120	N13B16A
2.0 D 118 120 125 FAP /4WD	B47D20A/B N47D20C
2.0 TD 116 118 120 125 FAP /4WD	N47D20C/D
2.0i Turbo 125 128	N20B20A
3.0i Turbo 135 140 /4WD	B58B30A N55B30A

BMW Série 2 F22 F87 Coupé

1.5i Turbo 218	B38B15A
2.0 D 218 220 225 FAP /4WD	B47D20A/B N47D20C/D
2.0i Turbo 220 228 230	B48B20A/B N20B20A/B
3.0i Turbo 235 240 /4WD	B58B30A N55B30A


Suite ...

Suite ...
7476279
Bras de susp. AV Inf. G/D
L/R front lower track control arm
OE 33326792525
BMW Série 2 F23 Cabriolet

 1.5i Turbo 218
 2.0 D 218 220 225 FAP
 2.0i Turbo 220 228 230
 3.0i Turbo 235 240 /4WD

 B38B15A
 B47D20A/B N47D20C
 B48B20A/B N20B20A/B N26B20A
 B58B30A N55B30A

BMW Série 3 F30 F80

 1.5i Turbo 318
 1.6i Turbo 316 320
 2.0 D 316 318 320 325 FAP /4WD
 2.0i Turbo 320 328 330 /4WD /Hybride
 3.0 D 330 335 FAP /4WD
 3.0i Turbo 335 340 /4WD /Hybride

 B38B15A
 N13B16A
 B47D20A/B N47D20C/D
 B48B20A/B N20B20A/B
 N57D30A/B
 B58B30A N55B30A

BMW Série 3 F31

 1.5i Turbo 318
 1.6i Turbo 316
 2.0 D 316 318 320 325 FAP /4WD
 2.0i Turbo 320 328 330 /4WD
 3.0 D 330 335 FAP
 3.0i Turbo 335 340 /4WD

 B38B15A
 N13B16A
 B47D20A/B N47D20C/D
 B48B20A/B N20B20A/B
 N57D30A/B
 B58B30A N55B30A

BMW Série 3 F34

 2.0 D 318 320 325 FAP /4WD
 2.0i Turbo 320 328 /4WD
 3.0 D 330 335 FAP /4WD
 3.0i Turbo 335 /4WD

 B47D20A/B N47D20C/D
 N20B20A/B
 N57D30A/B
 B58B30A N55B30A

BMW Série 4 F32 F82

 2.0 D 418 420 425 FAP /4WD
 2.0i Turbo 420 428 430 /4WD
 3.0 D 430 435 FAP /4WD
 3.0i Turbo 435 440 /4WD

 B47D20A N47D20C/D
 B48B20B N20B20A/B
 N57D30A/B
 B58B30A N55B30A

BMW Série 4 F33 F83

 1.5i Turbo 418
 2.0 D 420 425 FAP
 2.0i Turbo 420 428 430 /4WD
 3.0 D 430 435 FAP /4WD
 3.0i Turbo 435 440 /4WD

 B38B15A
 B47D20A/B N47D20C/D
 B48B20B N20B20A/B
 N57D30A/B
 B58B30A N55B30A

BMW Série 4 F36

 1.5i Turbo 418
 2.0 D 418 420 425 FAP /4WD
 2.0i Turbo 420 428 430 /4WD
 3.0 D 430 435 FAP /4WD
 3.0i Turbo 435 440 /4WD

 B38B15A
 B47D20A N47D20C/D
 B48B20B N20B20A/B
 N57D30A/B
 B58B30A N55B30A

7476280
Triangle de susp. G
Left track control arm
OE 5Q0407151J
AUDI A3

1.2 TFSi	06/12-
1.4 TFSi	06/12-
1.4 TFSi Cab.	01/01/15-07/11/16
1.6 TDi FAP	06/12-
1.6 TDi FAP Cab.	01/01/15-07/11/16
1.8 TFSi /4WD	06/12-
1.8 TFSi /4WD Cab.	01/01/15-07/11/16
2.0 TDi FAP /4WD	06/12-
2.0 TDi FAP /4WD Cab.	01/01/15-07/11/16
2.0 TFSi 4WD	06/12-
2.0 TFSi 4WD Cab.	01/01/15-07/11/16
2.0 TFSi 4WD S3	14/01/13-07/11/16

Suite ...

**Suite ...
7476280**
Triangle de susp. G
Left track control arm
OE 5Q0407151J
VOLKSWAGEN Golf VII 11/12-

1.2 TSi Berline	01/14-	CJZA/ZB CYVA/VB
1.2 TSi Break	01/14-	CJZA/ZB CYVA/VB
1.2 TSi Sportsvan	02/14-	CYVA/VB
1.4 TSi /ETH Berline /GPL /Hybride	01/14-	CHPA CMBA CPTA/VA/WA CUKB CXSA CZCA/DA/EA
1.4 TSi /ETH Break /GPL /Hybride	01/14-	CHPA CMBA CPTA/VA/WA CUKB CXSA CZCA/DA/EA
1.4 TSi Sportsvan	02/14-	CZCA/DA
1.6 TDi FAP /4WD Berline	01/14-	CLHA/HB CRKA/KB CXXA/XB
1.6 TDi FAP /4WD Break	01/14-	CLHA/HB CRKA/KB CXXA/XB
1.6 TDi FAP Sportsvan	02/14-	CRKA/KB CXXA/XB
2.0 TDi FAP /4WD Berline	01/14-	CRBC/LB CUNA
2.0 TDi FAP /4WD Break	01/14-	CRBC/LB CUNA
2.0 TDi FAP Sportsvan	02/14-	CRLB
2.0 TSi /4WD /GTi Berline	01/14-	CHHA/HB CJXB/XC
2.0 TSi /4WD /GTi Break	01/14-	CHHA/HB CJXB/XC
electric Berline	01/14-	EAGA


7476281
Triangle de susp. D
Right track control arm
OE 5Q0407152J
AUDI A3

1.2 TFSi	06/12-
1.4 TFSi	06/12-
1.4 TFSi Cab.	01/01/15-07/11/16
1.6 TDi FAP	06/12-
1.6 TDi FAP Cab.	01/01/15-07/11/16
1.8 TFSi /4WD	06/12-
1.8 TFSi /4WD Cab.	01/01/15-07/11/16
2.0 TDi FAP /4WD	06/12-
2.0 TDi FAP /4WD Cab.	01/01/15-07/11/16
2.0 TFSi 4WD	06/12-
2.0 TFSi 4WD Cab.	01/01/15-07/11/16
2.0 TFSi 4WD S3	14/01/13-07/11/16

VOLKSWAGEN Golf VII 11/12-

1.2 TSi Berline	01/14-	CJZA/ZB CYVA/VB
1.2 TSi Break	01/14-	CJZA/ZB CYVA/VB
1.2 TSi Sportsvan	02/14-	CYVA/VB
1.4 TSi /ETH Berline /GPL /Hybride	01/14-	CHPA CMBA CPTA/VA/WA CUKB CXSA CZCA/DA/EA
1.4 TSi /ETH Break /GPL /Hybride	01/14-	CHPA CMBA CPTA/VA/WA CUKB CXSA CZCA/DA/EA
1.4 TSi Sportsvan	02/14-	CZCA/DA
1.6 TDi FAP /4WD Berline	01/14-	CLHA/HB CRKA/KB CXXA/XB
1.6 TDi FAP /4WD Break	01/14-	CLHA/HB CRKA/KB CXXA/XB
1.6 TDi FAP Sportsvan	02/14-	CRKA/KB CXXA/XB
2.0 TDi FAP /4WD Berline	01/14-	CRBC/LB CUNA
2.0 TDi FAP /4WD Break	01/14-	CRBC/LB CUNA
2.0 TDi FAP Sportsvan	02/14-	CRLB
2.0 TSi /4WD /GTi Berline	01/14-	CHHA/HB CJXB/XC
2.0 TSi /4WD /GTi Break	01/14-	CHHA/HB CJXB/XC
electric Berline	01/14-	EAGA



7476282
Bras de susp. AR G/D
L/R rear track control arm
OE 2463501006
MERCEDES Classe A (176) 06/12-

1.5 CDi 160 180 FAP	06/12-	607951
1.6i Turbo 160 180 200	06/12-	270910
1.8 CDi 180 200 FAP	06/12-	651901
2.0i Turbo 220 250 /4WD	06/12-	270920
2.2 CDi 200 220 FAP /4WD	06/12-	651930

MERCEDES Classe B (246) 11/11-

1.5 CDi 160 180 FAP	09/11-	607951
1.6i Komp /Turbo 160 180 200	09/11-	270910
1.8 CDi 180 200 FAP	09/11-	651901
2.0i Turbo 180 200 220 250 /GNV/4WD	09/11-	270920
2.2 CDi 200 220 FAP /4WD	09/11-	651930

MERCEDES Classe CLA (117) 01/13-

1.5 CDi 180 FAP	01/13-	607951
1.6i Turbo 180 200	01/13-	270910
1.8 CDi 200 FAP	01/13-	651901
2.0i Turbo 220 250 /4WD	01/13-	270920
2.1 CDi 200 220 FAP /4WD	01/13-	651930
2.2 CDi 220 FAP /4WD	01/13-	651930

MERCEDES Classe GLA (156) 01/14-

1.5 CDi 180 FAP	01/14-	607951
1.6i Turbo 180 200	01/14-	270910
2.0i Turbo 200 250 4WD	01/14-	270920
2.2 CDi 200 220 FAP 4WD	01/14-	651930


7476283
Bras de susp. AR Inf. G/D
L/R rear lower track control arm
OE 33326792533
BMW Série 1 F20 F21

1.5 D 114 116 FAP	03/15-	B37D15A
1.5i Turbo 116 118	03/15-	B38B15A
1.6 D 114 116 FAP	08/11-	N47D16A
1.6i Turbo 114 116 118 120	08/11-	N13B16A
2.0 D 118 120 125 FAP /4WD	08/11-	B47D20A/B
2.0 TD 116 118 120 125 FAP /4WD	08/11-	N47D20C/D
2.0i Turbo 125 128	08/11-	N20B20A
3.0i Turbo 135 /4WD	08/11-	N55B30A

BMW Série 2 F22 F87 Coupé

1.5i Turbo 218	04/15-	B38B15A
2.0 D 218 220 225 FAP /4WD	02/14-	B47D20A/B N47D20C/D
2.0i Turbo 228	06/14-	N20B20A N26B20A
3.0i Turbo 235 4WD	06/14-	N55B30A

BMW Série 2 F23 Cabriolet

1.5i Turbo 218	04/15-	B38B15A
2.0 D 218 220 225 FAP	11/14-	B47D20A/B
2.0i Turbo 220 228	11/14-	N20B20A/B
3.0i Turbo 235 240 /4WD	11/14-	N55B30A

BMW Série 3 F30 F80

1.5i Turbo 318	04/15-	B38B15A
1.6i Turbo 316 320	11/11-	N13B16A
2.0 D 316 318 320 325 FAP /4WD	11/11-	B47D20A N47D20C/D
2.0i Turbo 320 328 330 /4WD	11/11-	B48B20A/B N20B20A/B
3.0 D 330 335 FAP /4WD	11/11-	N57D30A/B
3.0i Turbo 335 340 /4WD	11/11-	B58B30A N55B30A


Suite ...

**Suite ...
7476283**
Bras de susp. AR Inf. G/D
L/R rear lower track control arm
OE 33326792533
BMW Série 3 F31

1.5i Turbo 318	04/15-	B38B15A
2.0 D 316 318 320 325 FAP /4WD	06/12-	B47D20A N47D20C/D
2.0i Turbo 320 328 330 /4WD	06/12-	B48B20A/B N20B20A/B
3.0 D 330 335 FAP /4WD	06/12-	N57D30A/B
3.0i Turbo 340 /4WD	04/15-	B58B30A

BMW Série 3 F34

2.0 D 318 320 325 FAP /4WD	03/13-	N47D20C/D
2.0i Turbo 320 328 /4WD	03/13-	N20B20A/B
3.0 D 330 335 FAP /4WD	02/14-	N57D30A/B
3.0i Turbo 335 /4WD	03/13-	N55B30A

BMW Série 4 F32 F82

2.0 D 420 425 FAP /4WD	11/13-	N47D20C/D
2.0i Turbo 420 /4WD	11/13-	N20B20A/B
3.0 D 430 435 FAP /4WD	11/13-	N57D30A/B

BMW Série 4 F33 F83

2.0 D 420 425 FAP	01/14-	N47D20C/D
2.0i Turbo 420 428 /4WD	01/14-	N20B20A/B
3.0 D 430 435 FAP /4WD	06/14-	N57D30A/B
3.0i Turbo 435 /4WD	01/14-	N55B30A

BMW Série 4 F36

2.0 D 418 420 FAP /4WD	02/14-	N47D20C
2.0i Turbo 420 428 /4WD	02/14-	N20B20A/B
3.0 D 430 435 FAP /4WD	06/14-	N57D30A/B
3.0i Turbo 435 /4WD	02/14-	N55B30A


7476284
Bras de susp. AR sup. G/D
L/R rear upper track control arm
OE 33306786991
BMW X3

2.0 D /4WD	09/10-12/16
2.0 TD /4WD	03/14-12/16
2.0i Turbo /4WD	09/10-12/16
3.0 D 4WD	09/10-12/16
3.0i 4WD /Turbo	09/10-12/16

BMW X4

2.0 D 4WD	03/14-12/16
2.0i Turbo 4WD	03/14-12/16
3.0 D 4WD	03/14-12/16
3.0i Turbo 4WD	03/14-12/16


7476288
Bras de suspension AR G Sup.
Upper rear left track control arm
OE 33326792543
BMW Série 1 F20 F21

1.5 D 114 116 FAP	03/15-	B37D15A
1.5i Turbo 116 118	03/15-	B38B15A
1.6 D 114 116 FAP	08/11-	N47D16A
1.6i Turbo 114 116 118 120	08/11-	N13B16A
2.0 D 118 120 125 FAP /4WD	07/13-	B47D20A/B N47D20C
2.0 TD 116 118 120 125 FAP/4WD	08/11-	N47D20C/D
2.0i Turbo 120 125 128	08/11-	B48B20A/B N20B20A
3.0i Turbo 135 140 /4WD	08/11-	B58B30A N55B30A

BMW Série 2 F22 F87 Coupé

1.5i Turbo 218	04/15-	B38B15A
2.0 D 218 220 225 FAP /4WD	09/13-	B47D20A/B N47D20C/D
2.0i Turbo 220 228 230	09/13-	B48B20A/B N20B20A N26B20A
3.0i Turbo 235 240 M2 /4WD	09/13-	B58B30A N55B30A

BMW Série 2 F23 Cabriolet

1.5i Turbo 218	04/15-	B38B15A
2.0 D 218 220 225 FAP	11/14-	B47D20A/B
2.0i Turbo 220 228 230	11/14-	B48B20A/B N20B20A/B N26B20A
3.0i Turbo 235 240 /4WD	11/14-	B58B30A N55B30A


Suite ...

Suite ...
7476288
Bras de suspension AR G Sup.
Upper rear left track control arm
OE 33326792543
BMW Série 3 F30 F80

1.5i Turbo 318	04/15-	B38B15A
1.6i Turbo 316 320	11/11-	N13B16A
2.0 D 316 318 320 325 FAP /4WD	11/11-	B47D20A/B N47D20C/D
2.0i Turbo 320 328 330 /4WD /Hybride	11/11-	B48B20A/B N20B20A/B
3.0 D 330 335 FAP /4WD	11/11-	N57D30A/B
3.0i Turbo 335 340 /4WD /Hybride	11/11-	B58B30A N55B30A

BMW Série 3 F31

1.5i Turbo 318	04/15-	B38B15A
1.6i Turbo 316	03/13-	N13B16A
2.0 D 316 318 320 325 FAP /4WD	06/12-	B47D20A/B N47D20C/D
2.0i Turbo 320 328 330 /4WD	06/12-	B48B20A/B N20B20A/B
3.0 D 330 335 FAP /4WD	03/13-	N57D30A/B
3.0i Turbo 335 340 /4WD	03/13-	B58B30A N55B30A

BMW Série 3 F34

2.0 D 318 320 325 FAP /4WD	03/13-	B47D20A N47D20C/D
2.0i Turbo 320 328 /4WD	03/13-	N20B20A/B
3.0 D 330 335 FAP /4WD	03/13-	N57D30A/B
3.0i Turbo 335 /4WD	03/13-	N55B30A

BMW Série 4 F32 F82

2.0 D 418 420 425 FAP /4WD	07/13-	B47D20A N47D20C/D
2.0i Turbo 420 428 430 /4WD	11/13-	B48B20B N20B20A/B
3.0 D 430 435 FAP /4WD	11/13-	N57D30A/B
3.0i Turbo 435 440 /4WD	07/13-	B58B30A N55B30A

BMW Série 4 F33 F83

1.5i Turbo 418		B38B15A
2.0 D 420 425 FAP	01/14-	B47D20A/B N47D20C/D
2.0i Turbo 420 428 430 /4WD	01/14-	B48B20A/B N20B20A/B
3.0 D 430 435 FAP /4WD	06/14-	N57D30A/B
3.0i Turbo 435 440 /4WD	01/14-	B58B30A N55B30A

BMW Série 4 F36

1.5i Turbo 418	09/15-	B38B15A
2.0 D 418 420 425 FAP /4WD	02/14-	B47D20A/B N47D20C
2.0i Turbo 420 428 430 /4WD	02/14-	B48B20A/B N20B20A/B
3.0 D 430 435 FAP /4WD	06/14-	N57D30A/B
3.0i Turbo 435 440 /4WD	02/14-	B58B30A N55B30A

7476289
Bras de susp. AR sup. D
Right rear upper track control arm
OE 33326792544
BMW Série 1 F20 F21

1.5 D 114 116 FAP	03/15-	B37D15A
1.5i Turbo 116 118	03/15-	B38B15A
1.6 D 114 116 FAP	08/11-	N47D16A
1.6i Turbo 114 116 118 120	08/11-	N13B16A
2.0 D 118 120 125 FAP /4WD	07/13-	B47D20A/B N47D20C
2.0 TD 116 118 120 125 FAP /4WD	08/11-	N47D20C/D
2.0i Turbo 120 125 128	08/11-	B48B20A/B N20B20A
3.0i Turbo 135 140 /4WD	08/11-	B58B30A N55B30A

BMW Série 2 F22 F87 Coupé

1.5i Turbo 218	04/15-	B38B15A
2.0 D 218 220 225 FAP /4WD	09/13-	B47D20A/B N47D20C/D
2.0i Turbo 220 228 230	09/13-	B48B20A/B N20B20A N26B20A
3.0i Turbo 235 240 M2 /4WD	09/13-	B58B30A N55B30A

Suite ...

Suite...
7476289
Bras de susp. AR sup. D
Right rear upper track control arm
OE 33326792544

BMW Série 2 F23 Cabriolet

1.5i Turbo 218	04/15-	B38B15A
2.0 D 218 220 225 FAP	11/14-	B47D20A/B
2.0i Turbo 220 228 230	11/14-	B48B20A/B N20B20A/B N26B20A
3.0i Turbo 235 240 /4WD	11/14-	B58B30A N55B30A

BMW Série 3 F30 F80

1.5i Turbo 318	04/15-	B38B15A
1.6i Turbo 316 320	11/11-	N13B16A
2.0 D 316 318 320 325 FAP /4WD	11/11-	B47D20A/B N47D20C/D
2.0i Turbo 320 328 330 /4WD /Hybride	11/11-	B48B20A/B N20B20A/B
3.0 D 330 335 FAP /4WD	11/11-	N57D30A/B
3.0i Turbo 335 340 /4WD /Hybride	11/11-	B58B30A N55B30A

BMW Série 3 F31

1.5i Turbo 318	04/15-	B38B15A
1.6i Turbo 316	03/13-	N13B16A
2.0 D 316 318 320 325 FAP /4WD	06/12-	B47D20A/B N47D20C/D
2.0i Turbo 320 328 330 /4WD	06/12-	B48B20A/B N20B20A/B
3.0 D 330 335 FAP /4WD	03/13-	N57D30A/B
3.0i Turbo 335 340 /4WD	03/13-	B58B30A N55B30A

BMW Série 3 F34

2.0 D 318 320 325 FAP /4WD	03/13-	B47D20A N47D20C/D
2.0i Turbo 320 328 /4WD	03/13-	N20B20A/B
3.0 D 330 335 FAP /4WD	03/13-	N57D30A/B
3.0i Turbo 335 /4WD	03/13-	N55B30A

BMW Série 4 F32 F82

2.0 D 418 420 425 FAP /4WD	07/13-	B47D20A N47D20C/D
2.0i Turbo 420 428 430 /4WD	11/13-	B48B20B N20B20A/B
3.0 D 430 435 FAP /4WD	11/13-	N57D30A/B
3.0i Turbo 435 440 /4WD	07/13-	B58B30A N55B30A

BMW Série 4 F33 F83

1.5i Turbo 418		B38B15A
2.0 D 420 425 FAP	01/14-	B47D20A/B N47D20C/D
2.0i Turbo 420 428 430 /4WD	01/14-	B48B20A/B N20B20A/B
3.0 D 430 435 FAP /4WD	06/14-	N57D30A/B
3.0i Turbo 435 440 /4WD	01/14-	B58B30A N55B30A

BMW Série 4 F36

1.5i Turbo 418	09/15-	B38B15A
2.0 D 418 420 425 FAP /4WD	02/14-	B47D20A/B N47D20C
2.0i Turbo 420 428 430 /4WD	02/14-	B48B20A/B N20B20A/B
3.0 D 430 435 FAP /4WD	06/14-	N57D30A/B
3.0i Turbo 435 440 /4WD	02/14-	B58B30A N55B30A

Eléments Amortisseur
Shock absorber parts
2650055
Butée de suspension G/D
L/R suspension bush
OE 1609849080 H75

CITROEN C-Elysée

1.2i 12v.	10/01/13-
1.6 HDi FAP	10/01/13-
1.6i 16v.	10/01/13-

PEUGEOT 301

1.2 VTi	10/01/13-
1.6 HDi FAP	10/01/13-
1.6i 16v.	10/01/13-

2654042
Butée protecteur susp. G/D
L/R suspension bush
OE 540502745R
DACIA Dokker

 1.2i Turbo
 1.5 DCi FAP
 1.6i 16v.
 1.6i 8v.

2656088
Support suspension G/D
L/R suspension mounting
OE 31306863135

3 Trous fixation M8x1.25

3 Fixation holes M8x1.25

BMW Série 1 F20 F21

 1.6 D FAP 114 116 -03/15
 1.6i Turbo 114 116 118 -03/15
 2.0 D FAP 116 118 120 125 /4WD -03/15
 2.0 TD FAP 116 118 120 125 /4WD -03/15
 2.0i Turbo 125 128 -03/15
 3.0i Turbo 135 /4WD -03/15

BMW Série 2 F22 F87 Coupé

 2.0 D FAP 218 220 225 N47D20C/D
 2.0 D FAP 220 B47D20A
 2.0i Turbo 220 228 /4WD N20B20A/B N26B20A
 3.0i Turbo 235 /4WD Sauf M N55B30A

BMW Série 2 F23 Cabriolet

 2.0 D FAP 220 B47D20A
 2.0i Turbo 220 228 /4WD N20B20A/B N26B20A
 3.0i Turbo 235 N55B30A

BMW Série 3 F30 F80

 1.6i Turbo 316 320 -07/15 N13
 2.0 D FAP 316 318 320 325 /4WD -07/15 N47
 2.0i Turbo 320 328 /4WD -07/15 N20B20A/B N26B20A
 3.0 D FAP 330 335 /4WD -07/15 N57
 3.0i Turbo 335 /4WD /Hybride -07/15 N55B30A

BMW Série 3 F31

 1.6i Turbo 316 -07/15 N13
 2.0 D FAP 316 318 320 325 /4WD -07/15 N47
 2.0i Turbo 320 328 /4WD -07/15 N20B20A/B N26B20A
 3.0 D FAP 330 335 /4WD -07/15 N57
 3.0i Turbo 335 /4WD -07/15 N55B30A

BMW Série 3 F34

 2.0 D FAP 318 320 325 /4WD N47
 2.0i Turbo 320 328 /4WD N20B20A/B N26B20A
 3.0 D FAP 330 335 /4WD N57
 3.0i Turbo 335 /4WD N55B30A

BMW Série 4 F32 F82

 2.0 D FAP 420 425 /4WD N47
 2.0i Turbo 420 428 /4WD N20B20A/B N26B20A
 3.0 D FAP 430 435 /4WD N57
 3.0i Turbo 435 /4WD N55B30A

BMW Série 4 F33 F83

 2.0 D FAP 420 425 N47
 2.0i Turbo 420 428 /4WD N20B20A/B N26B20A
 3.0 D FAP 430 435 /4WD N57
 3.0i Turbo 435 /4WD N55B30A

Suite ...

**Suite...
2656088**
Support suspension G/D
L/R suspension mounting
OE 31306863135 3 Trous fixation M8x1.25 3 Fixation holes M8x1.25

BMW Série 4 F36

2.0 D FAP 418 420 /4WD	N47
2.0i Turbo 420 428 /4WD	N20B20A/B N26B20A
3.0 D FAP 430 435 /4WD	N57
3.0i Turbo 435 /4WD	N55B30A


2656089
Support suspension G/D
L/R suspension mounting
OE 31306852158
BMW X3

2.0 D /4WD 09/10-
2.0 TD /4WD 03/14-
2.0i Turbo /4WD 09/10-
3.0 D 4WD 09/10-
3.0i /Turbo 09/10-

BMW X4

2.0 D 4WD
2.0i Turbo 4WD
3.0 D 4WD
3.0i Turbo 4WD


2656090
Support suspension G/D
L/R suspension mounting
OE 1377973
FORD Transit

2.2 TDCi /FAP /4WD	09/06-01/08/12
2.4 TDCi /FAP /4WD	09/06-01/08/12
3.2 TDCi /FAP	09/06-01/08/12


Eléments Essieu
Axle parts
2600018
Articulation biellette susp.
Suspension link rod bushing
OE Part/oe 517847 Ø int.12 Ø ext.34 long. tube int.40.5 ext.24.5
 Ø inner 12 Ø outer 34 Length tube inner 40 outer 24.5

CITROEN C5

1.6 HDi /FAP	03/08-	DV6C DV6TED4
1.6 VTi 16v.	03/08-	EP6C
1.6i 16v. Turbo	03/08-	EP6CDT /M
1.8i 16v.	03/08-	EW7A
2.0 HDi /FAP	03/08-	DW10BTED4 DW10CB DW10CTED4
2.0i 16v.	03/08-	EW10A
2.2 HDi FAP	03/08-	DW12BTED4 DW12C
2.7 HDi	03/08-	DT17TED4
3.0 HDi	03/08-	DT20C
3.0i V6	03/08-	ES9A

CITROEN C6

2.2 HDi FAP
2.7 HDi
3.0 HDi
3.0i V6

PEUGEOT 407

TT /all models

PEUGEOT 508

1.6 HDi FAP	DV6C DV6FC
1.6i 16v. Turbo	EP6C EP6CDT /M EP6FDT
1.6i 16v. VTi	EP6C
2.0 HDi FAP	DW10C /CB DW10FC DW10FD
2.0 HDi FAP Sauf hybride	DW10BTED4 DW10CTED4
2.2 HDi FAP	DW12C



Eléments Autres pièces
Other parts
2954011
Support échappement central
Middle exhaust pipe mounting
OE 206516364R
RENAULT Captur

0.9i Turbo	-17/10/15
1.2i Turbo	-17/10/15
1.5 DCi FAP	-17/10/15

H4B400	
H5F403	
K9K608/09	K9K830/838

RENAULT Clio III 09/05-

1.2i 16v. /Turbo /ETH /GPL	
1.4i 16v.	
1.5 DCi /FAP	
1.5 DCi /FAP Sauf équipement EAG	
1.5 DCi /FAP Sauf équipement EAG	09/05-
1.6i 16v.	
1.6i 16v. Sauf équipement EAG	

D4F	
K4J	
K9K750/52/66/68/70/72	
K9K774	
K9K764	
K4M800/01	
K4M804/862	

RENAULT Clio IV 09/12-

1.2i 16v.	-01/07/15
1.2i 16v. /GPL	
1.2i Turbo	
1.5 DCi /FAP	
1.6i Turbo RS	-01/07/15

D4F740	
D4F740/44	
H5F403	
K9K608/09/12	K9K830/838
M5M400/01	

2954012
Support échappement Central
Middle exhaust pipe mounting
OE 6001547472
DACIA Dokker

1.2i Turbo	H5F
1.5 DCi	K9K
1.6i 8v.	K7M

DACIA Duster

1.2i 16v. Turbo /4WD	H5F
1.5 DCi 2WD 4WD	K9K
1.6i 16v. 2WD 4WD	K4M
2.0i 2WD 4WD	F4R

DACIA Lodgy

1.2i Turbo	H5F
1.5 DCi	K9K
1.6i 8v.	K7M

DACIA Logan I

1.0i 16v.	D4D
1.2i 16v.	D4F
1.4 MPi / MCV / VU	K7J
1.5 DCi / MCV / Pick-up / VU	K9K
1.6 MPi / MCV / Pick-up / VU	K7M
1.6i 16v. / MCV / Pick-up	K4M
1.6i 8v. / MCV / Pick-up	K7M

DACIA Logan II

0.9i Turbo	H4B
1.0i 16v.	D4D
1.2i 16v.	D4F
1.5 DCi	K9K
1.6i 16v.	K4M
1.6i 8v.	K7M

DACIA Sandero I

1.0i 16v.	D4D
1.2i 16v.	D4F
1.4 MPi	K7J
1.5 DCi	K9K
1.6 MPi	K7M
1.6i 16v.	K4M

DACIA Sandero II

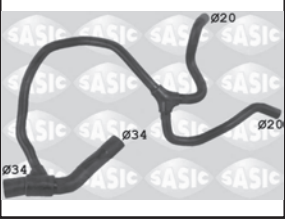
0.9i Turbo	H4B
1.0i 16v.	D4D
1.2i 16v.	D4F
1.5 DCi	K9K
1.6i 16v.	K4M
1.6i 8v.	K7M

RENAULT Clio II 03/98-

1.0i 16v. Sauf CB0Y/2Y	
1.2i / 16v.	
1.4i	
1.4i 16v. Sauf CB13/1G/1L	
1.5 DCi Sauf CB08/1W	
1.6i	
1.6i 16v. Sauf BB/CB01/14/1D/3G/H	
1.9 D	
1.9 DTi	
2.0i 16v.	

RENAULT Twingo II

1.2i	
1.2i 16v. /Turbo	
1.5 DCi	
1.6i 16v. RS	

Durit eau
Water hose
3406350
Durit radiateur inf.
Lower radiator hose
OE 1336256
OPEL Vectra B
 2.2 DTi Y22DTR

3406355
Durit radiateur Sup.
Upper radiator hose
OE 1337614
OPEL Signum
 2.2i 16v. Z22YH

OPEL Vectra C
 2.2i 16v. Z22SE/YH

Divers éléments embrayage
Other clutch parts
5404003
Fourchette embrayage
Clutch fork
OE 7700660487
RENAULT Trafic I
 1.7 05/89- F1N
 2.1 D 09/85- 852

5406002
Fourchette embrayage
Clutch fork
OE 085141713
AUDI A2
 1.2 TDi ANY

SEAT Arosa
 TT /all models

SEAT Cordoba

1.0i 16v.	09/99-12/02	AST AVZ
1.0i 8v.	01/97-09/99	AER
1.0i 8v.	09/99-12/02	ALD ANV AUC
1.4i 16v.	01/97-09/99	AFH
1.4i 16v.	09/99-12/02	APE AQQ AUA/B
1.4i 8v.	01/97-09/99	AKV ANX APQ
1.4i 8v.	-09/99	AEX
1.4i 8v.	09/99-12/02	AKK ANW AUD
1.4i 8v.	-12/96	ABD
1.6i 8v.	01/97-09/99	AEE
1.6i 8v.	01/97-12/02	ALM
1.6i 8v.	-12/96	ABU

SEAT Ibiza II III IV 93-01(6K)

1.0i 16v.	09/99-12/02	AST AVZ
1.0i 8v.	01/97-09/99	AER
1.0i 8v.	-04/96	AAU
1.0i 8v.	09/99-12/02	ALD ANV AUC
1.3i 8v.	-04/96	2G AAV
1.4i 16v.	01/97-09/99	AFH
1.4i 16v.	09/99-12/02	APE AQQ AUA/B
1.4i 8v.	01/97-09/99	AKV ANX APQ
1.4i 8v.	-04/96	ABD
1.4i 8v.	-09/99	AEX
1.4i 8v.	09/99-12/02	AKK ANW AUD
1.6i 8v.	01/97-09/99	AEE
1.6i 8v.	01/97-12/02	ALM
1.6i 8v.	-04/96	ABU

SEAT Inca

1.4i 8v.	AEX AKV APQ AUD
1.6i 8v.	AEE

Suite ...

**Suite...
5406002**
Fourchette embrayage
Clutch fork
OE 085141713
VOLKSWAGEN Caddy

1.4i 8v.	09/96-06/03	AEX AKV APQ AUD
1.6i 8v.	09/96-06/03	AEE

VOLKSWAGEN Golf II 83-91

1.05	01/86-12/92	HZ
1.3	01/86-12/89	GT MH NU
1.3	01/90-12/92	2G NZ

VOLKSWAGEN Golf III 91-97

1.4i 8v.	01/92-12/95	ABD
1.6i 8v.	01/92-12/95	ABU AEA

VOLKSWAGEN Jetta

1.0 8v.	01/86-12/92	HZ
1.3	01/86-12/92	2G MH NU

VOLKSWAGEN Lupo

1.0i 8v.		ALD AUC
1.0i 8v.	-12/03	AER ALL ANV
1.2 TDI		ANY AYZ
1.4 FSi 16v.		ARR
1.4i 16v.	-12/03	AFK AKQ APE AQQ AUA
1.4i 16v.	-12/03	AHW AUB BBY
1.4i 8v.		AUD
1.7 SDi		AKU

VOLKSWAGEN Polo -05/09

1.0	01/82-12/90	GL
1.0	01/82-12/94	HZ
1.0i 8v.	01/91-12/94	AAU
1.0i 8v. Berline 3/5ptes	01/95-12/00	AER AEV ALL
1.0i 8v. Berline 3/5ptes	11/99-12/01	ALD AUC
1.3	01/82-12/90	GK GT MH NU NZ
1.3 D	01/82-12/90	MN
1.3i	01/82-12/94	2G 3F
1.3i	01/91-12/94	AAV
1.3i Berline 3/5ptes	01/95-11/99	ADX
1.3i Komp G40 Coupé	01/82-12/94	PY
1.4 D	01/91-12/94	1W
1.4i 16v. Berline 3/5ptes	01/95-11/99	AFH
1.4i 16v. Berline 3/5ptes	01/95-12/01	AFK
1.4i 16v. Berline 3/5ptes	11/99-12/01	AHW APE AQQ AUA AUB
1.4i 16v. Flight /Variant	01/00-12/02	APE AUA
1.4i 8v. Berline 3/5ptes	01/95-11/99	AEX AKV ANX APQ
1.4i 8v. Berline 3/5ptes	11/99-12/01	AKK AKP AUD
1.4i 8v. Flight /Variant	01/00-12/02	AKK ANW AUD
1.4i 8v. Flight /Variant	01/96-12/00	AEX AKV ANX APQ
1.6i 16v. Berline 3/5ptes	01/95-11/99	AJV
1.6i 16v. GTi Berline 3/5ptes	11/99-12/01	ARC AVY
1.6i 8v. Berline 3/5ptes	01/95-11/99	AEA AEE
1.6i 8v. Flight /Variant	01/97-12/00	AEE
1.6i 8v. Flight /Variant	01/97-12/02	ALM
1.7 SDi Berline 3/5ptes	01/95-11/99	AHG
1.7 SDi Berline 3/5ptes	01/95-12/01	AKU
1.9 D Berline 3/5ptes	01/95-12/01	AEF
1.9 SDi Berline 3/5ptes	01/95-12/01	AGD
1.9 SDi Berline 3/5ptes	11/99-12/01	ASX

VOLKSWAGEN Vento

1.4i 8v.	-12/95	ABD
1.6i 8v.	-12/95	ABU AEA

5406003
Fourchette embrayage
Clutch fork
OE 668198
OPEL Agila

 1.2i 16v. Z12XEP
 1.3 CDTi Z13DT

OPEL Astra F

 1.4 i
 1.6i 8v. /16v. 16NZR C16NZ/SE X16SZ/SZR/XEL
 1.7 D
 1.7 TD X17DTL
 1.8i C18NZ

OPEL Kadett E

 1.2
 1.3 i /8v.
 1.4 i /8v.
 1.6 i 16SV C16LZ/NZ E16NZ
 1.6 D
 1.7 D

OPEL Ascona C

 1.3
 1.6i 16SV C16LZ/NZ E16NZ

OPEL Corsa A/B

TT /all models

OPEL Vectra A

 1.4 14NV
 1.6 i
 1.7 D

5406004
Fourchette embrayage
Clutch fork
OE 4143023000
HYUNDAI Accent

 1.4i 16v. Pour Turquie 01/01/06-28/02/12
 1.4i 16v. Europe 01/01/06-29/04/10
 1.5 CRDi Fabrication Turquie 01/01/06-28/02/12
 1.5 CRDi Europe 01/01/06-29/04/10
 1.6i 16v. Pour Turquie 01/01/06-28/02/12
 1.6i 16v. Europe 01/01/06-29/04/10

HYUNDAI Getz

1.5 CRDi 01/08/05-26/01/11

KIA Rio

 1.4i 16v. 01/04/05-19/11/08
 1.5 CRDi 01/04/05-22/10/10
 1.6i 16v. 01/04/05-19/11/08

HYUNDAI Matrix

1.5 CRDi 30/10/04-30/04/10


Pompe à eau
Water pump
3600014
Pompe à eau
Water pump
OE 9803094380
CITROEN Berlingo VL

1.2i Turbo 11/15- EB2DT

CITROEN C3 I II

1.2i Turbo 06/14- EB2DT

CITROEN C3 Picasso

1.2i Turbo 02/15- EB2DT

CITROEN C4 Cactus

1.2i /Turbo 06/14- EB2DT/M

DS AUTOMOBILES DS3

1.2i Turbo /Cab. EB2DT/DTM/DTS

PEUGEOT 2008

1.2 VTi 04/15- EB2DT/DTM/DTS

PEUGEOT 3008

1.2i Turbo EB2DTS

PEUGEOT 5008 -03/17

1.2i Turbo EB2DTS

CITROEN Berlingo VU

1.2i /Turbo EB2DT

CITROEN C3 III 09/16-

1.2i /Turbo EB2DT/M

CITROEN C4

1.2 VTi 07/13- EB2DT/M/TDS/M

CITROEN C4 Picasso 06/13-

1.2i Turbo 02/15- EB2DTS/D

DS AUTOMOBILES DS4

1.2i Turbo EB2DT /M /S /SM

PEUGEOT 208

1.2i Turbo 06/14- EB2DT EB2DTM

PEUGEOT 308 09/13-

1.2i Turbo 02/14- EB2DT/DTS/DTSM

PEUGEOT Partner

1.2i Turbo VL 11/15- EB2DT



3606123
Pompe à eau
Water pump
OE 6512003901 Sans Stop and start *Without Stop and start*
MERCEDES Viano

2.2 CDi /FAP /4WD 10/10- 651940

MERCEDES Vito

2.2 CDi /FAP /4WD 10/10- 651940


3606124
Pompe à eau
Water pump
OE 06L121012A
AUDI A1

 1.8 TFSi 01/14- DAJB
 2.0 TFSi 4WD 01/14- CDLH CWZA

AUDI A3

 1.8 TFSi /4WD Berline 06/12-12/16 CJSA/SB
 1.8 TFSi /4WD Cab. 01/15- CJSA/SB
 2.0 TFSi /4WD /S3 Berline 06/12- CJXB/XC/XF
 2.0 TFSi /4WD Cab. 01/15- CJXB/XC/XF

AUDI A4 III 2008-2015

 1.8 TSi /4WD 01/13- CJEB
 2.0 TFSi /4WD /Allroad 01/13- CNCD

AUDI A4 IV 2016-

2.0 TFSi /4WD CVKB CYRB/RC

AUDI A5

 1.8 TFSi TSi 01/11- CJEB/ED/EE
 2.0 TFSi /4WD 01/13- CDNC CNCD/CE

AUDI A6 IV 02/2011-

2.0 TFSi /Hybride 01/15- CDN B CHJA

AUDI A7

 1.8 TFSi 01/15- CYGA
 2.0 TFSi /4WD 01/15- CYP A/PB

AUDI A8

2.0 TFSi 4WD 01/16- CYP A

AUDI Q3

2.0 TFSi /4WD 01/15- CCTA/ZC CPSA CULB/LC

AUDI Q5

2.0 TFSi 4WD 01/13- CNCB/CD

AUDI Q7

2.0 TFSi 4WD 01/16- CYRB

AUDI TT

 1.8 TFSi 01/15- CJSA
 2.0 TFSi /4WD 01/15- CHHC CJXF/XG

SEAT Alhambra

2.0 TSi 01/16- DEDA

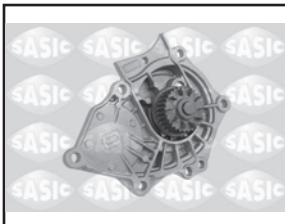
SEAT Ibiza V 01- (6J 6L)

1.8 TSi 01/16- DAJA

SEAT Leon

 1.8 TSi 01/13- CJSA/SB
 2.0 TSi 01/13- CJXA/XE/XH

SKODA Octavia

 1.8 TSi /4WD 01/13- CJSA/SB
 2.0 TSi 01/13- CHHA/HB

Suite ...

Suite...
3606124
Pompe à eau
Water pump
OE 06L121012A
SKODA Superb

1.8 TSi	01/15-	CJSA/SC
2.0 TSi /4WD	01/15-	CHHB CJXA

VOLKSWAGEN Golf VII 11/12-

1.8 TSi 4WD Break	01/14-	CJSB
2.0 TSi /4WD /GTi Berline	01/13-	CHHA/HB CJXB/XC/XE CXDA
2.0 TSi 4WD Break	01/14-	CJXC

VOLKSWAGEN Passat VIII 14-

1.8 TSi	09/15-	CJSA/SC
2.0 TSi /4WD	09/15-	CHHB CJXA CXDA

VOLKSWAGEN Polo (6R) 06/09-

1.8 TSi	01/15-	DAJA/JB
---------	--------	---------

VOLKSWAGEN Scirocco

2.0 TSi	01/15-	CCZB CDLC/LK CULA/LC
---------	--------	----------------------

VOLKSWAGEN Sharan

2.0 TSi	01/16-	DEDA
---------	--------	------

VOLKSWAGEN Tiguan II 04/16-

2.0 TSi 4WD		CZPA
-------------	--	------

VOLKSWAGEN Touran

1.8 TSi 01/16-		CJSA
----------------	--	------

3606125
Pompe à eau
Water pump
OE 04E121600AR
AUDI A1

1.0 TFSi	01/15-	CHZB/ZE
1.4 TFSi	01/15-16/05/16	CZCA/CB/EA
1.4 TFSi	-16/05/16	CPTA

AUDI A3

1.2 TFSi Berline	26/08/12-12/16	CJZA CYVB
1.4 TFSi Berline	26/08/12-12/16	CMBA CPTA/WA CXSA/SB CZCA/EA
1.4 TFSi Cab.	03/14-12/16	CPTA CXSB CZCA/CC/EA

AUDI A4 IV 2016-

1.4 TFSi	01/16-	CVNA
----------	--------	------

AUDI Q3

1.4 TFSi	-27/06/16	CHPA/PB CZDA/DB/EA
----------	-----------	--------------------

SEAT Alhambra

1.4 TSi	01/16-	CZDA
---------	--------	------

SEAT Ibiza V 01- (6J 6L)

1.2 TSi	01/16-	CJZC/ZD
1.4 TSi	01/16-	CPTA CZEA

SEAT Leon

1.0 TSi	01/13-	CHZD
1.2 TSi	01/13-	CJZA/ZB CYVA/VB
1.4 TSi	01/13-	CHPA CMBA CPTA/WA CXSA CZCA/EA

SEAT Toledo

1.2 TSi	01/16-	CJZC/ZD
1.4 TSi	01/16-	CZCA

SKODA Fabia

1.2 TSi	01/15-	CJZC/ZD
1.6i 16v.	01/15-	CWVA/VB

SKODA Octavia

1.0 TSi	01/13-	CHZD
1.2 TSi	01/13-	CJZA/ZB CYVA/VB
1.4 TSi	01/13-	CHPA CPWA CZDA
1.6i 16v.	01/13-	CWVA

Suite ...

**Suite...
3606125**
Pompe à eau
Water pump
OE 04E121600AR
SKODA Superb
1.4 TSi /4WD 01/16- CZCA/DA/EA
SKODA Yeti
**1.2 TSi 01/14- CYVB
1.4 TSi /4WD 01/14- CZCA/DA
1.6i 16v. 01/14- CWVA**
VOLKSWAGEN Caddy
**1.0 TSi 01/15- CHZG
1.2 TSi 01/15- CYVC
1.4 TSi 01/15- CPWA CZCB**
VOLKSWAGEN Golf VI Cabriolet
**1.2 TSi 01/12-12/16 CYVD
1.4 TSi 01/12-12/16 CZCA/DA**
VOLKSWAGEN Golf VII 11/12-
**1.0 TSi Berline 01/13-12/16 CHZD
1.0 TSi Break 01/14-12/16 CHZD
1.0 TSi Sportsvan CHZD
1.2 TSi Berline 01/13- CJZA/ZB CYVA/VB**
VOLKSWAGEN Golf VII 11/12-
**1.2 TSi Break 01/14- CJZA/ZB CYVA/VB
1.2 TSi Sportsvan CYVA/VB
1.4 TSi Berline 01/13- CHPA CMBA CPTA/VA/WA CUKB CXSA CZCA/DA/EA
1.4 TSi Break 01/14- CHPA CMBA CPTA/VA/WA CUKB CXSA CZCA/DA/EA
1.4 TSi Sportsvan CZCA/DA
1.6i 16v. Berline 01/13- CWVA
1.6i 16v. Break 01/17- CWVA
1.6i 16v. Sportsvan CWVA**
VOLKSWAGEN Jetta
**1.2 TSi 01/15- CJZD CYVD
1.4 TSi 01/15- CZCA/DA/TA**
VOLKSWAGEN New Beetle
**1.2 TSi /Cab. 01/12- CYVD
1.4 TSi /Cab. 01/12- CZDA**
VOLKSWAGEN Passat VIII 14-
1.4 TSi /4WD 01/15- CZCA/DA/EA
VOLKSWAGEN Polo (6R) 06/09-
**1.2 TSi /Crosspolo Berline 3/5ptes 01/14- CJZC/ZD
1.4 TSi Berline 3/5ptes 01/14- CPTA CZEA**
VOLKSWAGEN Scirocco
1.4 TSi 01/15- CZCA/DA
VOLKSWAGEN Sharan
1.4 TSi 01/16- CZDA
VOLKSWAGEN Tiguan II 04/16-
1.4 TSi /4WD CZCA/DA/DB/EA
VOLKSWAGEN Touran
**1.2 TSi 01/16- CYVB
1.4 TSi 01/16- CZDA**

3606128
Pompe à eau
Water pump
OE 038121011KX
AUDI A3

1.9 TDi	01/01-12/03	ATD AXR
1.9 TDi /4WD	01/01-12/03	ASZ
2.0 TDi /4WD	01/04-12/08	BUY
2.0 TDi /4WD	01/04-14/01/07	AZV BKD
2.0 TDi /4WD	15/01/07-12/07	AZV BKD
2.0 TDi FAP /4WD	01/04-12/07	BMM
2.0 TDi FAP /4WD	01/08-12/08	BMM

AUDI A4 I 94-2000

1.9 TDi /4WD	01/99-	AJM ATJ
--------------	--------	---------

AUDI A4 II 2000-2008

1.9 TDi		BKE
1.9 TDi /4WD	-12/05	AVB AVF AWX
1.9 TDi FAP	01/05-	BRB
2.0 TDi	01/05-	BLB BNA
2.0 TDi /4WD	01/05-	BVA BVF BVG
2.0 TDi /FAP /4WD	01/05-	BRD BRE BRF BPW
2.0 TDi /FAP Cab.	01/07-	BPW BRC

AUDI A6 II 97-04/2004

1.9 TDi	07/01-	AVF AWX
---------	--------	---------

CHRYSLER Sebring

2.0 CRDi /Cab.	07/07-12/10	BYL
----------------	-------------	-----

DODGE Caliber

2.0 TDi	06/06-	BSY BWD BYL
---------	--------	-------------

DODGE Journey

2.0 CRDi FAP	06/08-	BWD
--------------	--------	-----

FORD Galaxy

1.9 TDi	04/00-04/02	ANU AUY
1.9 TDi	05/02-04/06	AUY
1.9 TDi	05/02-06/06	ANU

JEEP Compass

2.0 CRDi	08/06-	ECD ECE
----------	--------	---------

JEEP Patriot

2.0 CRDi	02/07-	ECD ECE
----------	--------	---------

MITSUBISHI Grandis

2.0 DiD	01/04-01/14	BSY
2.0 DiD	05/07-01/14	BWC

MITSUBISHI Lancer

2.0 DiD /Sportback	01/08-01/14	BWC
--------------------	-------------	-----

MITSUBISHI Outlander

2.0 DiD 4WD	11/06-	BSY
-------------	--------	-----

SEAT Alhambra

1.9 TDi /4WD	01/01-12/02	ANU AUY
1.9 TDi /4WD	01/03-12/10	ANU AUY
1.9 TDi /4WD	01/06-12/10	BVK

SEAT Altea

2.0 TDi	01/07-12/10	AZV
2.0 TDi	01/07-12/13	BKD
2.0 TDi	-12/10	AZV BKD
2.0 TDi FAP /4WD	-12/10	BMM

Suite ...

**Suite...
3606128**
Pompe à eau
Water pump
OE 038121011KX
SEAT Ibiza V 01- (6J 6L)
1.9 TDi 01/02-12/09 BPX
SEAT Leon
1.9 TDi 01/02-12/06 AXR ARL
1.9 TDi /4WD -12/06 ARL
2.0 TDi 01/06-12/10 AZV BKD
2.0 TDi 01/06-12/13 BKD
2.0 TDi FAP 01/06-12/13 BMM
SEAT Toledo
1.9 TDi 01/02-12/04 ARL ASZ ATD
1.9 TDi 01/99-12/04 ARL
2.0 TDi 01/05-15/05/06 AZV BKD
2.0 TDi 15/05/06-12/09 AZV BKD
2.0 TDi FAP 01/05-12/09 BMM
SKODA Octavia
1.9 TDi /4WD 24/09/02-12/11 ASZ ATD AXR
1.9 TDi 4WD 01/01-23/09/02 ATD
2.0 TDi 01/04-29/05/06 AZV BKD
2.0 TDi 30/05/06-12/13 AZV BKD
2.0 TDi /FAP /4WD 01/04-12/13 BMM
SKODA Superb
1.9 TDi 01/02-12/08 AVB/F AWX BPZ BSV/S BWW
2.0 TDi 01/08-12/13 BKD
2.0 TDi FAP 01/08-12/13 BMP
VOLKSWAGEN Bora
1.9 TDi 01/03- AXR
1.9 TDi /4WD 01/02- ARL
1.9 TDi /4WD 01/03- ASZ ATD
1.9 TDi /4WD -12/02 ARL
VOLKSWAGEN Caddy
2.0 TDi FAP 01/04-12/11 BMM
VOLKSWAGEN Eos
2.0 TDi FAP -12/08 BMM
VOLKSWAGEN Golf IV 97-03
1.9 TDi 01/03- AXR
1.9 TDi /4WD 01/02- ARL
1.9 TDi /4WD 01/03- ASZ ATD
1.9 TDi /4WD -12/02 ARL
VOLKSWAGEN Golf V 03-
2.0 TDi /4WD Berline 01/06-12/07 AZV BKD
2.0 TDi Break 01/07-12/09 AZV BKD
2.0 TDi FAP /4WD Berline 01/06- BMM
2.0 TDi FAP Break 01/07-12/09 BMM
2.0 TDi FAP Plus BMM
2.0 TDi Plus AZV BKD
2.0 TDi Plus 01/05-12/08 BVB
2.0 TDi Plus -03/09 AZV BKD
VOLKSWAGEN Jetta
2.0 TDi 01/06-12/08 AZV BKD
2.0 TDi /FAP 01/06-12/11 BKD
2.0 TDi FAP 01/06-12/08 BMM
Suite ...

Suite...
3606128
Pompe à eau
Water pump
OE 038121011KX
VOLKSWAGEN New Beetle

1.9 TDi /Cab.	01/06-12/10	BSW
1.9 TDi Berline	01/02-12/05	ATD
1.9 TDi Berline	01/02-12/10	BEW
1.9 TDi Berline	-12/05	ATD
1.9 TDi Cab.	01/03-12/05	AXR

VOLKSWAGEN Passat V 96-05

1.9 TDi /4WD	01/03-	AVB AVF AWX
2.0 TDi	01/03-	BGW

VOLKSWAGEN Passat VI 05-10

2.0 TDi	-12/07	BVE BWV
2.0 TDi /FAP /4WD		BKP BMA
2.0 TDi /FAP /4WD	-12/07	BKP BMA
2.0 TDi FAP /4WD	06/05-	BMP
2.0 TDi SW	-12/07	BVD

VOLKSWAGEN Sharan

1.9 TDi	-06/00	ANU
1.9 TDi	-12/02	ANU
1.9 TDi /4WD	01/01-12/02	AUY
1.9 TDi /4WD	01/03-12/10	ANU AUY
1.9 TDi /4WD	01/06-12/10	BVK
2.0 TDi /FAP	01/06-12/10	BRT BVH

VOLKSWAGEN Touran

2.0 TDi	01/09-12/10	CHWA
2.0 TDi	-12/10	AZV BKD
2.0 TDi FAP	01/06-12/10	BMM

Thermostat
Thermostat
3300016
Thermostat
Thermostat
OE 1336AX

83°

CITROEN Berlingo VL VU

1.6 HDi /FAP	05/08-	DV6C DV6DTED DV6ETED4
1.6 HDi /FAP	11/02-	DV6DTED M /ETED M

CITROEN C-Elysée

1.6 HDi FAP	DV6DTED /M
-------------	------------

CITROEN C3 I II

1.4 HDi FAP	11/09-	DV4C
1.6 HDi /FAP	11/09-	DV6C DV6DTED DV6DTED M /ETED M

CITROEN C3 Picasso

1.6 HDi /FAP	DV6C DV6DTED
--------------	--------------

CITROEN C4

1.6 HDi	-10/10	DV6C M
1.6 HDi /FAP	10/10-	DV6C DV6DTED /M

CITROEN C4 Aircross

1.6 HDi FAP /4WD	DV6C
------------------	------

CITROEN C4 Cactus

1.6 HDi FAP	DV6DTED
-------------	---------

CITROEN C4 Picasso -06/13

1.6 HDi FAP	DV6C
-------------	------

CITROEN C4 Picasso 06/13-

1.6 HDi /FAP	DV6C DV6DTED
--------------	--------------

Suite ...

Suite...
3300016
Thermostat
Thermostat
OE 1336AX 83°

CITROEN C5
1.6 HDi FAP 04/08- DV6C

CITROEN Jumpy -03/16
1.6 HDi /FAP 01/07- DV6DU M DV6UC

DS AUTOMOBILES DS3
1.4 HDi FAP
1.6 HDi FAP DV6C DV6DTED

DS AUTOMOBILES DS4
1.6 HDi /FAP DV6C DV6DTED /M

DS AUTOMOBILES DS5
1.6 HDi FAP DV6C

FIAT Scudo
1.6 JTD /FAP 01/07- DV6DU M DV6UC

PEUGEOT 2008
1.4 HDi FAP DV4C
1.6 HDi /FAP DV6C DV6DTED

PEUGEOT 206+ 04/09-
1.4 HDi FAP DV4C

PEUGEOT 207
1.4 HDi /FAP DV4C
1.6 HDi /FAP DV6C DV6DTED

PEUGEOT 208
1.4 HDi FAP DV4C
1.6 HDi /FAP DV6C DV6DTED DV6DTED M /ETED M

PEUGEOT 3008 -09/16
1.6 HDi FAP DV6C

PEUGEOT 301
1.6 HDi FAP DV6DTED /M

PEUGEOT 308 -09/13
1.6 HDi /FAP DV6C /M DV6DTED /M

PEUGEOT 308 09/13-
1.6 HDi /FAP DV6C DV6DTED

PEUGEOT 4008
1.6 HDi FAP /4WD DV6C

PEUGEOT 5008 -03/17
1.6 HDi FAP DV6C

PEUGEOT 508
1.6 HDi FAP DV6C

PEUGEOT Expert VL -04/16
1.6 HDi /FAP 01/07- DV6DU M DV6UC

PEUGEOT Expert VU -04/16
1.6 HDi /FAP 01/07- DV6DU M DV6UC

PEUGEOT Partner
1.6 HDi /FAP 11/02- DV6DTED M DV6ETED M
1.6 HDi /FAP /4WD 05/08- DV6C DV6DTED DV6ETED /4


3300018
Capot thermostat
Thermostat casing
OE 1336J4
CITROEN Evasion

2.0i 16v. XU10J4R

CITROEN Xantia

 1.8i 16v. /GPL
 2.0i 16v. XU10J4R

CITROEN Xsara

 1.8i 16v. /GPL -09/00 XU7JP4
 2.0i 16v. XU10J4RS
 2.0i 16v. -09/00 XU10J4R

CITROEN ZX

 1.8i 16v. XU7JP4
 2.0i 16v. XU10J4RS

PEUGEOT 306

 1.8i 16v. /GPL 04/97- XU7JP4
 2.0i 16v. XU10J4RS
 2.0i 16v. 04/97-

PEUGEOT 406

 1.8i 16v. /GPL XU7JP4
 2.0i 16v. XU10J4R

PEUGEOT 806

2.0i 16v. XU10J4R

3304021
Thermostat
Thermostat
OE 8200557693 83° Marquage Marking 8200453422 Marquage Marking 693/SS P/83/4B

RENAULT Clio III 09/05-

1.6i 16v. /Estate K4M801

RENAULT Megane II /Classic / Break /Cab. CC /Coupé

 1.6i 16v. K4M813
 1.6i 16v. 17/01/05-20/12/06 K4M761

RENAULT Modus

1.6i 16v. K4M794 K4M801

RENAULT Scenic II 05/03-03/09

 1.6i 16v. K4M813
 1.6i 16v. 17/01/05-20/12/06 K4M761

3304022
Thermostat
Thermostat
OE 8200700092 89°

RENAULT Clio III 09/05-

 1.4i 16v. /Estate 09/05- K4J780
 1.6i 16v. /Estate 09/05- K4M800/04/62

RENAULT Fluence

1.6i 16v. 01/10- K4M838

RENAULT Laguna II /Estate

 1.6i 16v. 03/05- K4M716
 1.6i 16v. 10/07- K4M824

RENAULT Megane II /Classic/ Break /Coupé

 1.4i 16v. 01/06- K4J740
 1.4i 16v. 20/12/06- K4J730/32
 1.6i 16v. 01/06- K4M812

RENAULT Megane II Cab. CC

1.6i 16v. 01/06- K4M812

RENAULT Megane III

1.6i 16v. /ETH /GPL 11/08- K4M858/66

RENAULT Megane III Break

1.6i 16v. /ETH /GPL 06/09- K4M858/66

Suite ...

**Suite...
3304022**
Thermostat
Thermostat
OE 8200700092 89°

RENAULT Megane III Cab. CC

1.6i 16v. /ETH /GPL 06/10- K4M858/66

RENAULT Megane III Coupé

1.6i 16v. /ETH /GPL 11/08- K4M858/66

RENAULT Modus

 1.4i 16v. 09/04- K4J770/80
 1.6i 16v. 09/04- K4M790/94 800

RENAULT Scenic II 05/03-03/09

 1.4i 16v. 06/03- K4J730/40
 1.6i 16v. 09/06- K4M766 812

RENAULT Scenic III 04/09-

1.6i 16v. /ETH /GPL 04/09- K4M858/66


3304023
Thermostat
Thermostat
OE 8200700094 83° Marquage Marking 094/SS P/83/2B

RENAULT Clio III 09/05-

1.6i 16v. K4M801

RENAULT Kangoo II 01/08- VL VU

1.6i 16v. K4M830/31/34/35/36

RENAULT Megane II /Classic /Break /Cab. CC /Coupé

1.6i 16v. 20/12/06- K4M761 813

RENAULT Modus

1.6i 16v. K4M791 801

RENAULT Scenic II 05/03-03/09

1.6i 16v. 20/12/06- K4M761 813


3304025
Thermostat
Thermostat
OE 110616064R 83° Marquage Marking 110171 110172

DACIA Logan II

0.9i Turbo H4B400/08

DACIA Sandero II

0.9i Turbo H4B400/08

RENAULT Captur

0.9i Turbo H4B400/08

RENAULT Clio IV 09/12-

0.9i Turbo H4B400/08


3304026
Thermostat
Thermostat
OE 110612563R 95° Marquage Marking 110151 110152

DACIA Logan II

0.9i Turbo H4B400/08

DACIA Sandero II

0.9i Turbo H4B400/08

RENAULT Captur

0.9i Turbo H4B400/08

RENAULT Clio IV 09/12-

0.9i Turbo H4B400/08



3306103
Thermostat
Thermostat
OE 55241404 88°

FIAT 500 L
1.6 JTD FAP Depol Euro 5

FIAT 500 X
2.0 JTD FAP 4WD 140hp 103kw

JEEP Renegade
1.4i 4WD
1.6 CRD
2.0 CRD 4WD

3306105
Thermostat
Thermostat
OE 03H121113 80°

AUDI Q7
3.6 FSi 4WD 10/06-04/15 BHK

VOLKSWAGEN Passat VI 05-10

3.2 FSi 4WD 12/05-10/10 AXZ

3.6 FSi /4WD 03/05-10/10 BLV BWS

VOLKSWAGEN Touareg
3.6 FSi 4WD 09/05-04/10 BHK
